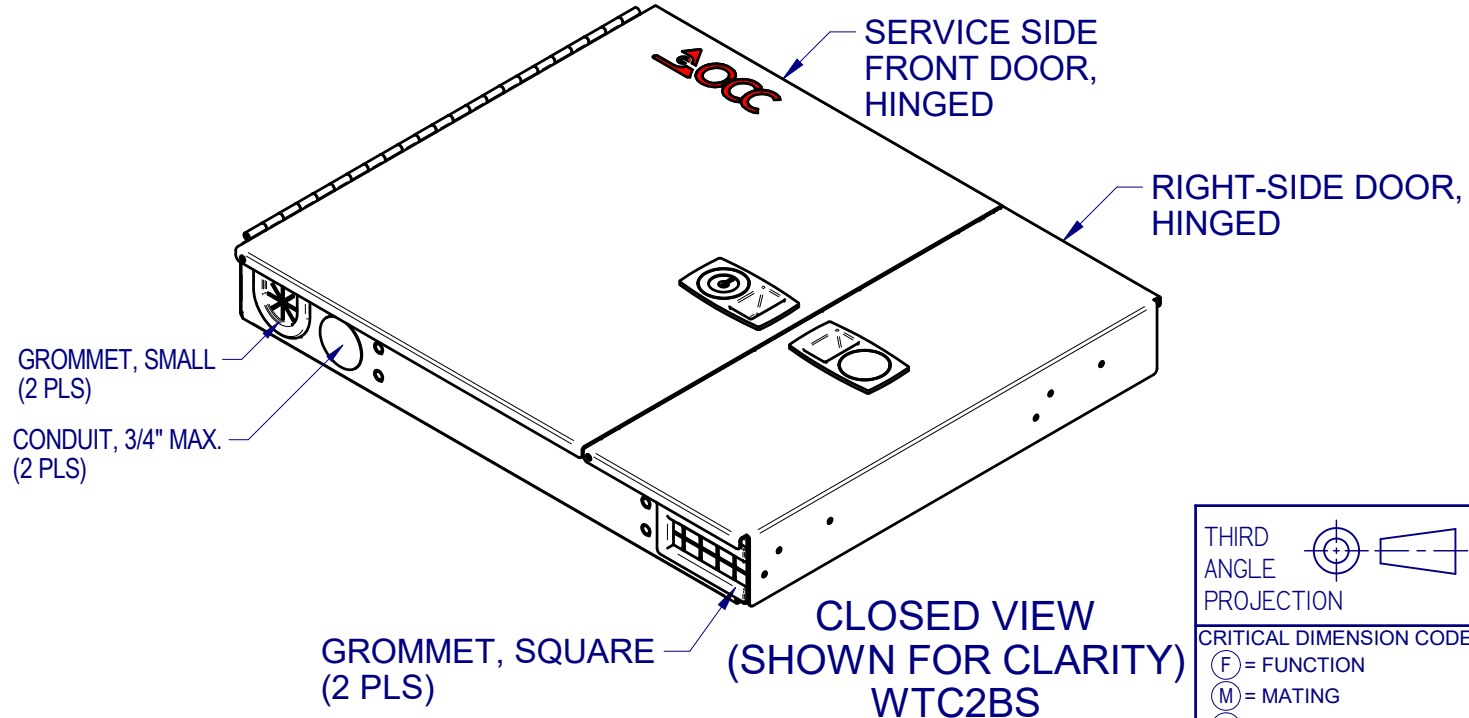
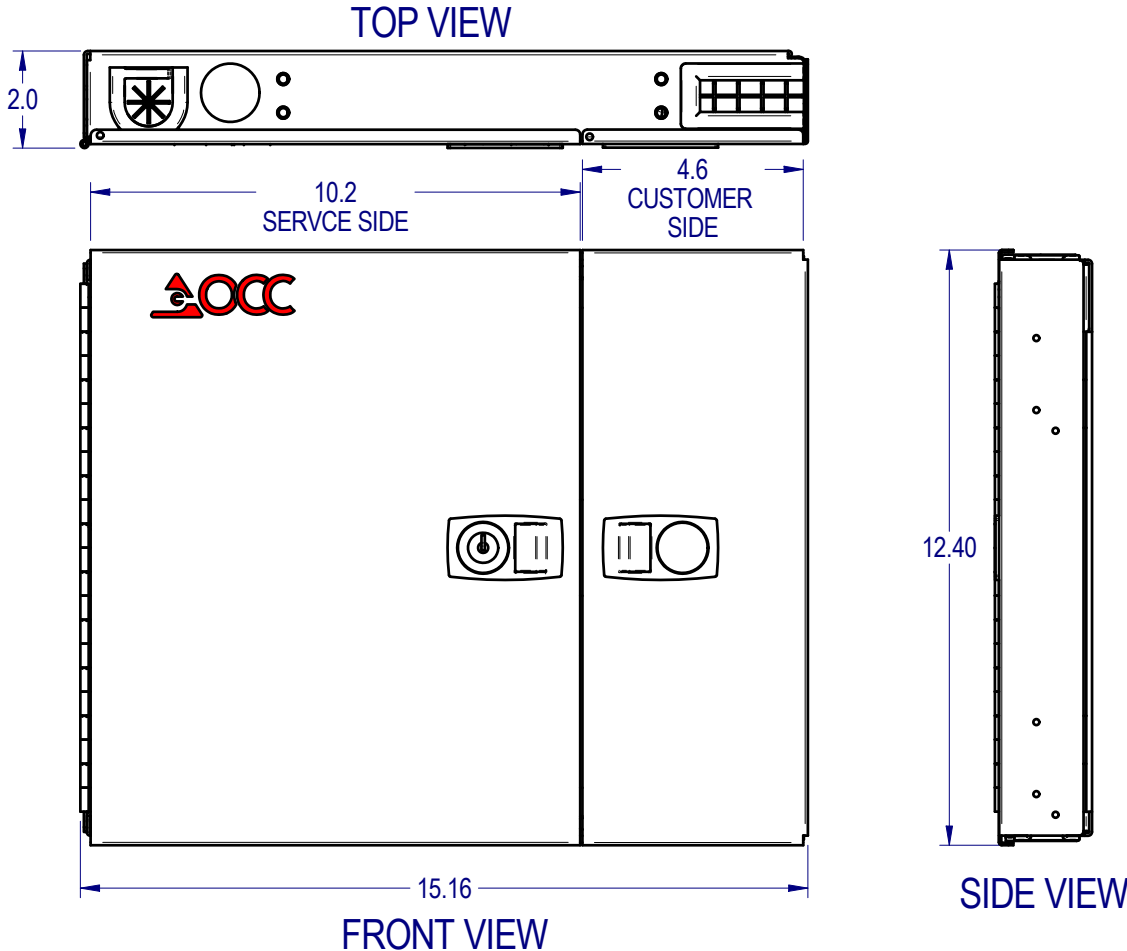
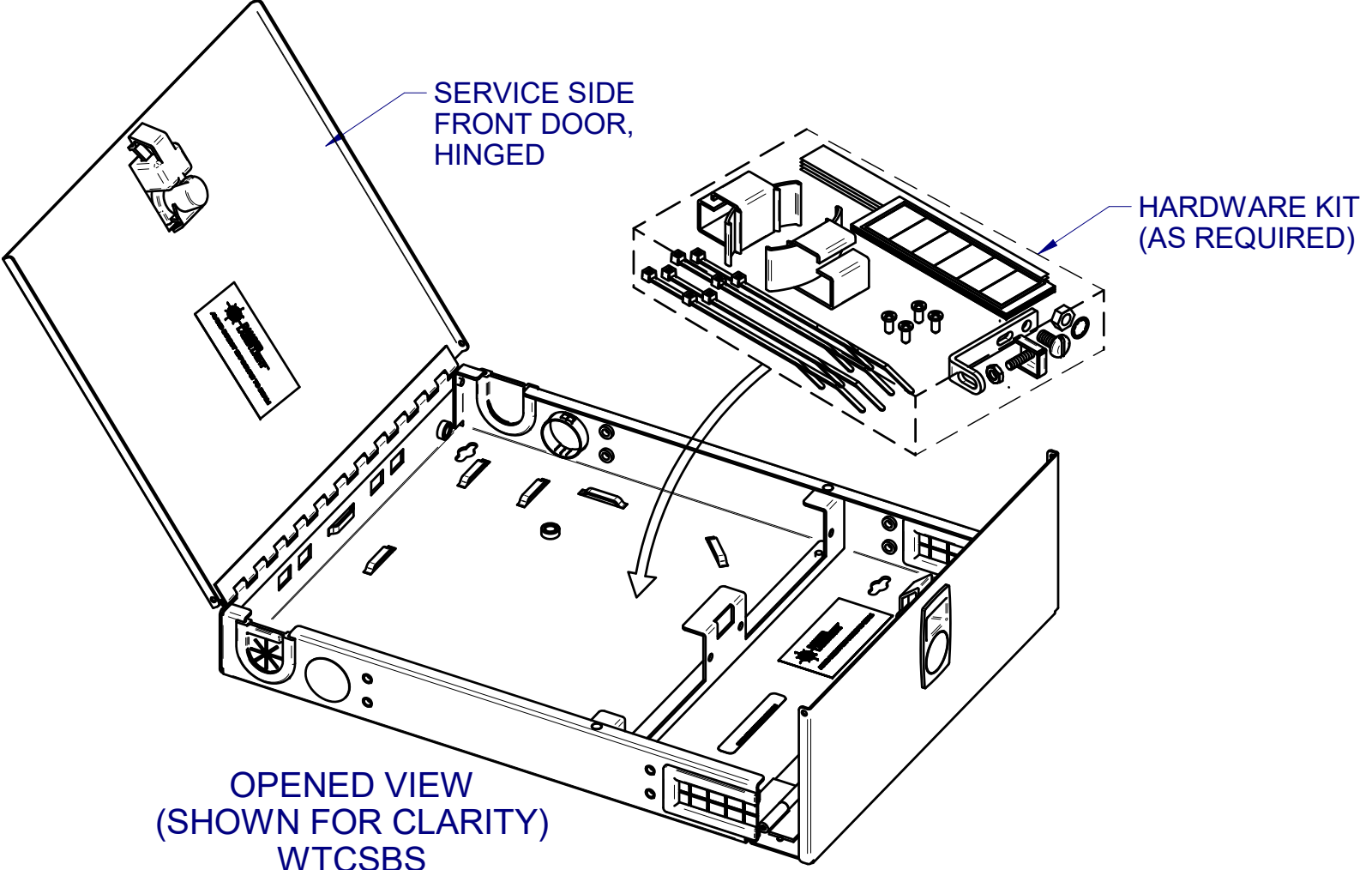


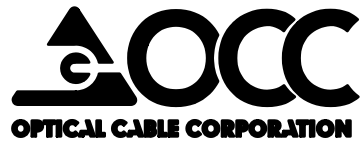
"OPTICAL CABLE CORPORATION (OCC)
RESERVES THE RIGHT TO REVISE ANY
AND ALL DESIGN SPECIFICATIONS."

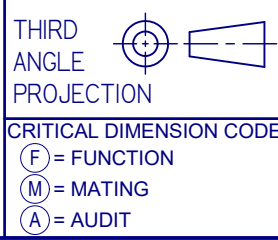
UNCONTROLLED COPY



WTC2BC	CABINET, WALLMOUNT, FIBER ENCLOSURE, CUSTOMER SIDE LOCK ONLY
WTC2BS	CABINET, WALLMOUNT, FIBER ENCLOSURE, SERVICE SIDE LOCK ONLY
WTC2BB	CABINET, WALLMOUNT, FIBER ENCLOSURE, WITH (2) LOCKS BOTH SIDES
WTC2BN	CABINET, WALLMOUNT, FIBER ENCLOSURE, BLACK, NO LOCK

OCC PART NO.	DESCRIPTION
UNLESS OTHERWISE SPECIFIED DIMENSIONS ARE IN INCHES. TOLERANCES: FRACTIONS ±1/32" ANGLES ±1/2° 2 PLACE DECIMALS ±.031" 1 PLACE DECIMALS ±.062"	
THIS DRAWING AND THE DESIGN SHOWN ARE THE PROPERTY OF OPTICAL CABLE CORPORATION AND MAY NOT BE USED AS THE BASIS FOR MANUFACTURE OR SALE WITHOUT SPECIFIC WRITTEN PERMISSION OF OPTICAL CABLE CORPORATION.	
DRAWN D.A.HOLBERT	DATE 4/19/24
CHECKED J.HOWE	DATE 4/19/24
ENGINEER J.YANIK	DATE 4/19/24
APPROVED J.CALLOWAY	DATE 5/6/24
PREVIOUS DWG	
NEXT DWG	FILENAME C112745A.dft

		33 Superior Way Swannanoa, NC 28778 Phone: 828-298-2260 Fax: 828-298-2487 www.occfiber.com	
DWG TITLE CABINET ASSEMBLY, WALL MOUNT, WTC2, OCC			
SIZE B	DWG NO. C112745	REV A	
SCALE: 1:4		SHEET 1 OF 1	



PROPRIETARY AND CONFIDENTIAL