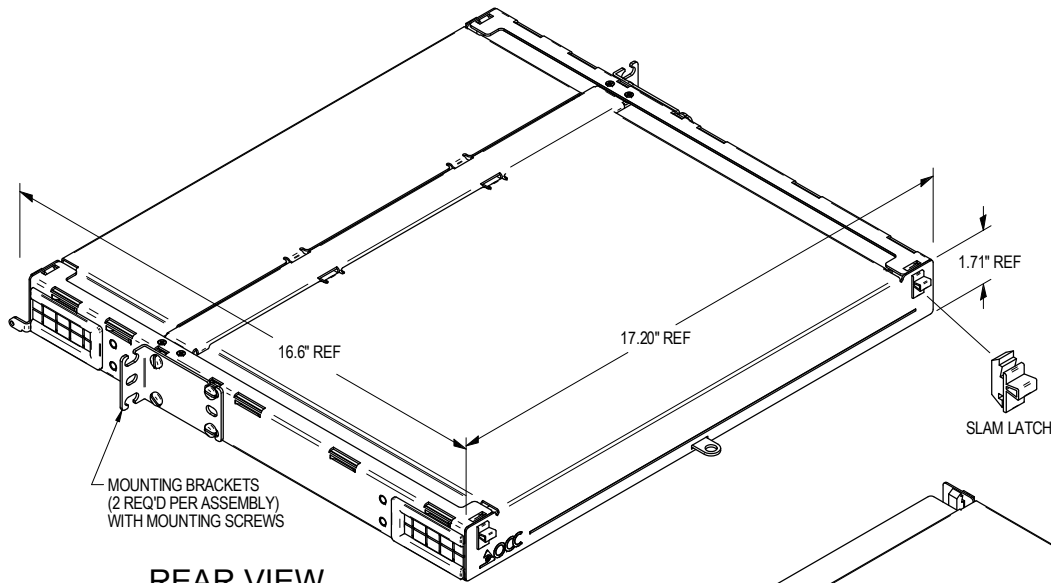


REVISION HISTORY		DATE	ECN	CHECKED
REV/SHT	DESCRIPTION			
A	ALL RELEASE NEW	1/14/14	NEW	JH

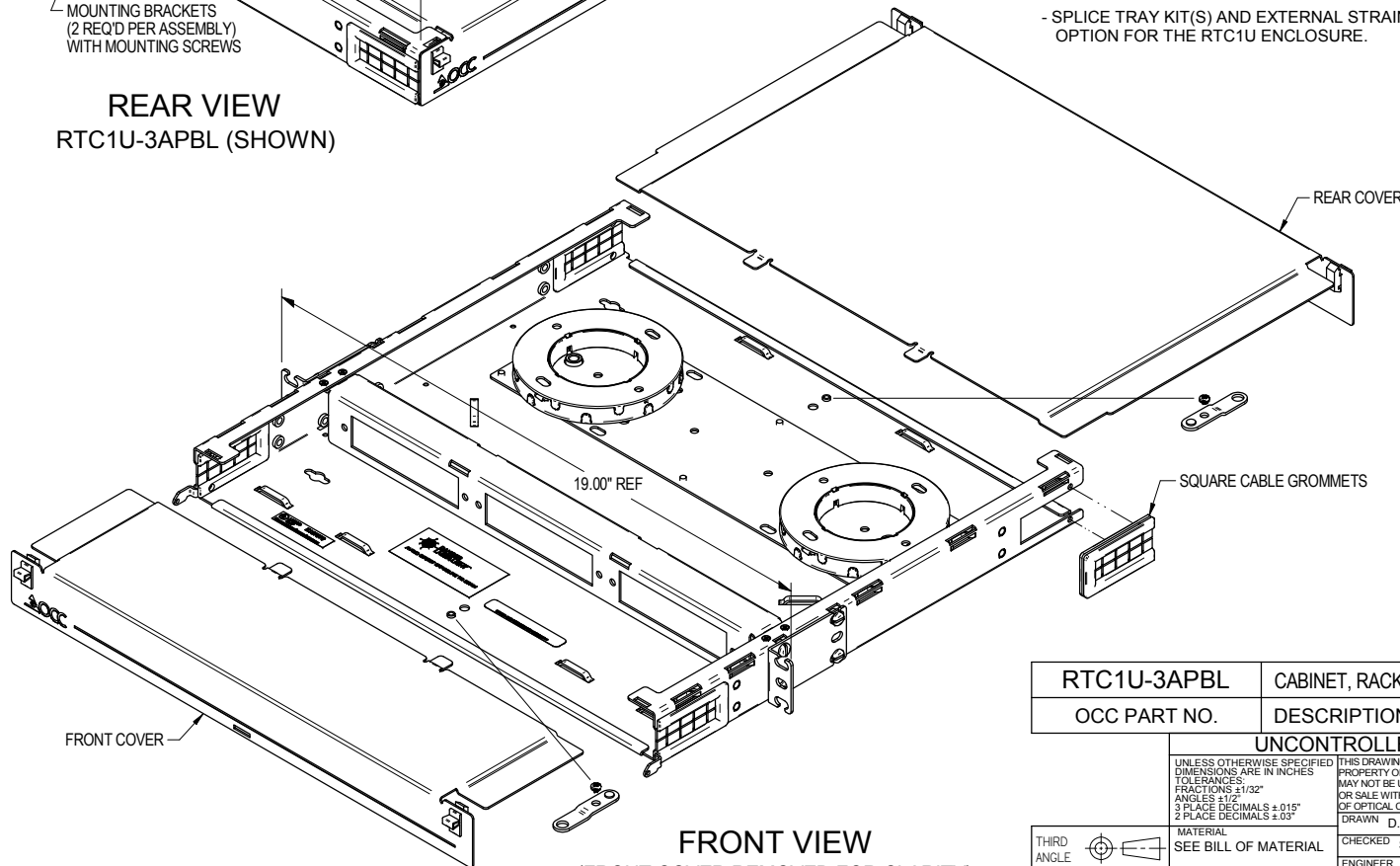
SPECIFICATIONS

FEATURES & BENEFITS:

- OPTICAL CABLE CORPORATION'S, RTC1U SERIES LOW PROFILE FIBER OPTIC CROSS CONNECT ENCLOSURES PROVIDE FIBER MANAGEMENT, CONNECTIVITY, AND DISTRIBUTION FOR 6-36 FIBERS. ACCOMMODATES ALL CROSS CONNECT FUNCTIONS (SPLICING, TERMINATION, AND INTERCONNECTION) FOR OUTSIDE PLANT, BACKBONE, AND BUILDING CABLES.
- ACCOMMODATES OCC 600 SERIES SNAP-IN ADAPTER PLATES. RTC1U ENCLOSURE PORT COUNT IS BASED UPON THE PORT DENSITY OF THE ADAPTER PLATES. ADAPTER PLATES ORDERED SEPARATELY.
- RTC1U ENCLOSURES PROVIDE INNOVATIVE FIBER ORGANIZATION UTILIZING STACKABLE FIBER HOOPS DESIGNED TO MAINTAIN ORDERLY FIBER MANAGEMENT AND ALLOW FOR GREATER SEGREGATION OF INCOMING FIBER CABLES
- PLASTIC GROMMETS PROVIDE RELIABLE CABLE PROTECTION AT ALL CABLE ENTRANCES AND EXITS.
- RUGGED 16-GAUGE STEEL CONSTRUCTION WITH A DURABLE POWDER COAT FINISH. RTC1U DRAWER COLOR: B = BLACK
- HINGED TRANSPARENT COVER ALLOWS FOR VISUAL INSPECTION OF PORTS AND DEFINED LABELING FIELD PROVIDED FOR TIA 606A COMPLIANCE.
- STANDARD UNIVERSAL MOUNTING BRACKETS INCLUDED TO FIT 19" AND 23" RACKS OR CABINETS. OPTIONAL RECESS BRACKETS ARE AVAILABLE TO ALLOW RTC1U ENCLOSURES TO FIT FLUSH WITH RACK
- ALL PLASTIC COMPONENTS ARE HIGH-IMPACT SELF-EXTINGUISHING, UL LISTED RATING 94 V-0.
- SPLICE TRAY KIT(S) AND EXTERNAL STRAIN RELIEF BRACKETS MAY BE ORDERED SEPARATELY AS AN OPTION FOR THE RTC1U ENCLOSURE.



REAR VIEW
RTC1U-3APBL (SHOWN)



FRONT VIEW
(FRONT COVER REMOVED FOR CLARITY)
RTC1U-3APBL (SHOWN)

UNCONTROLLED COPY

"OPTICAL CABLE CORPORATION (OCC)
RESERVES THE RIGHT TO REVISE ANY
RACK CABINET SPECIFICATIONS."

RTC1U-3APBL	CABINET, RACK MNT, RTC, 1 UNIT, 3 ADAPTER PLATES, BLACK, LOCKABLE
OCC PART NO.	DESCRIPTION

UNCONTROLLED COPY		OCC		33 Superior Way Swannanoa, NC 28778 Phone: 828-298-2260 Fax: 828-298-2487 www.occfiber.com	
UNLESS OTHERWISE SPECIFIED DIMENSIONS ARE IN INCHES TOLERANCES: FRACTIONS ±1/32" ANGLES ±1/2° 3 PLACE DECIMALS ±.015" 2 PLACE DECIMALS ±.03"	THIS DRAWING AND THE DESIGN SHOWN ARE THE PROPERTY OF OPTICAL CABLE CORPORATION AND MAY NOT BE USED AS THE BASIS FOR MANUFACTURE OR SALE WITHOUT SPECIFIC WRITTEN PERMISSION OF OPTICAL CABLE CORPORATION.	OPTICAL CABLE CORPORATION			
MATERIAL SEE BILL OF MATERIAL	DRAWN D.A.HOLBERT DATE 1/14/14	DWG TITLE CUSTOMER DRAWING, CABINET ASSEMBLY, RTC1U, RACK MNT SLIDING, 3 PLATES			
THIRD ANGLE PROJECTION	CHECKED S.PORACH DATE 1/30/14	SIZE C	DWG NO. C111662	REV A	
CRITICAL DIMENSION CODE	ENGINEER J.YANIK DATE 1/14/14	SCALE: NONE		SHEET 1 OF 2	
FINISH SEE NOTES	APPROVED J.HOWE DATE 1/31/14	FILENAME C111662S1A.dft			
① = FUNCTION	PREVIOUS DWG				
② = MATING	NEXT DWG				
③ = AUDIT					