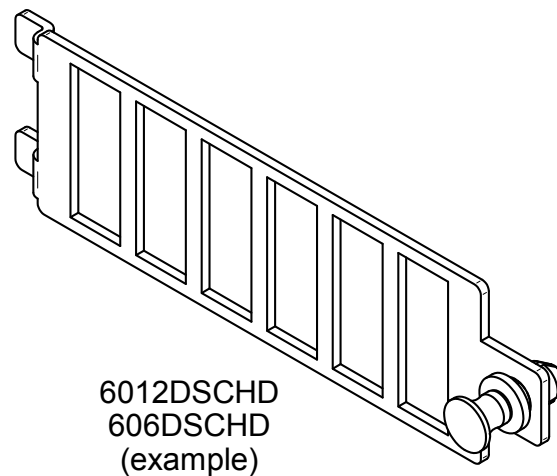
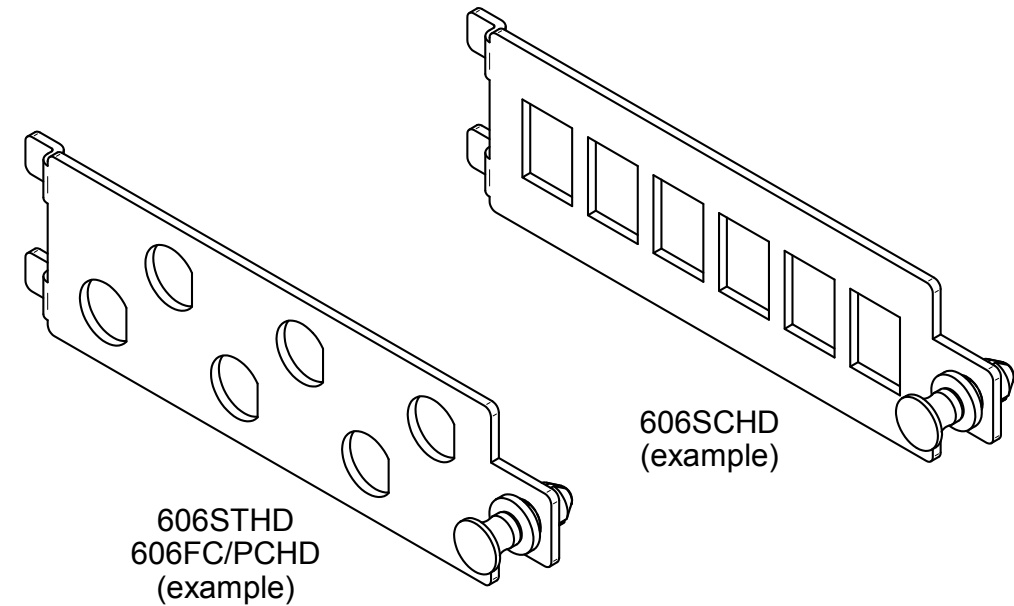
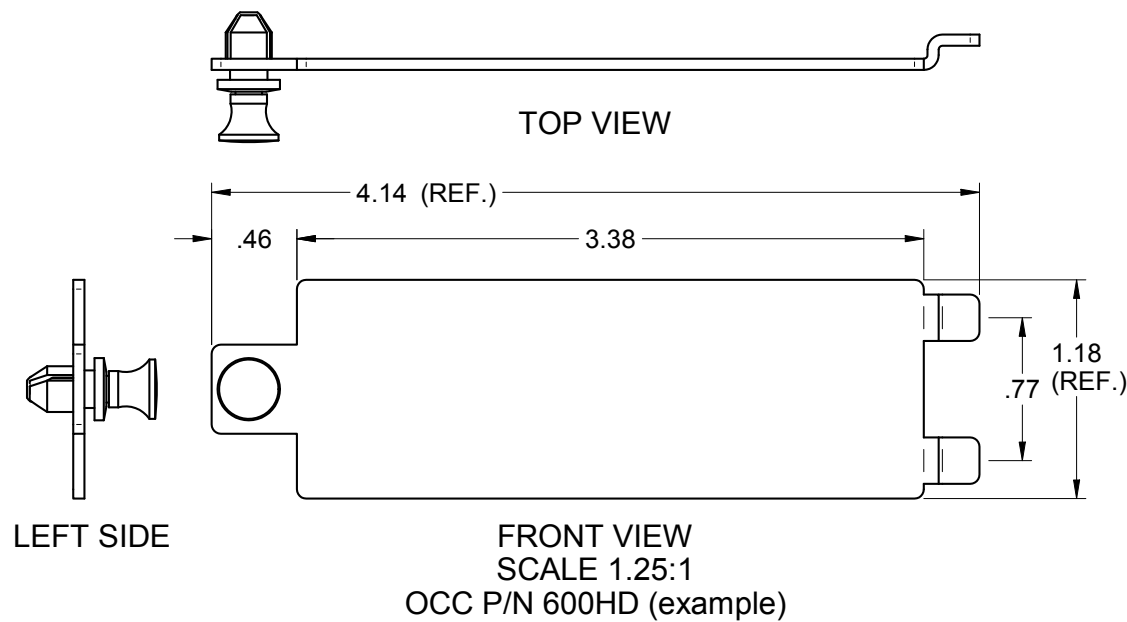


"OPTICAL CABLE CORPORATION (OCC)
RESERVES THE RIGHT TO REVISE ANY
AND ALL DESIGN SPECIFICATIONS."

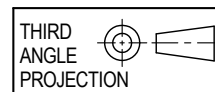
UNCONTROLLED COPY



OCC PART NO.	DESCRIPTION
606FC/PCHD	ADAPTER PLATE ASSY, PANEL, SINGLE FC X 6, OCC, HD
606DSCHD	ADAPTER PLATE ASSY, PANEL, DUAL SC X 3, OCC, HD
606STHD	ADAPTER PLATE ASSY, PANEL, SINGLE ST X 6, OCC, HD
606SCHD	ADAPTER PLATE ASSY, PANEL, SINGLE SC X 6, OCC, HD
6012DSCHD	ADAPTER PLATE ASSY, PANEL, DUAL SC X 6, OCC, HD
600HD	ADAPTER PLATE ASSY, PANEL, BLANK, OCC, HD

NOTES: UNLESS OTHERWISE SPECIFIED.

1. EACH ADAPTER PLATE IS SUPPLIED WITH COMPONENTS SHOWN.
2. OCC RESERVES THE PRIVILEGE OF COMPONENT(S) UPGRADES TO MEET DESIGN NEEDS, AS NECESSARY.



CRITICAL DIMENSION CODE
 (F) = FUNCTION
 (M) = MATING
 (A) = AUDIT

UNCONTROLLED COPY	
UNLESS OTHERWISE SPECIFIED DIMENSIONS ARE IN INCHES. TOLERANCES: FRACTIONS $\pm 1/32"$ ANGLES $\pm 1/2"$ 3 PLACE DECIMALS $\pm .005"$ 2 PLACE DECIMALS $\pm .01"$	THIS DRAWING AND THE DESIGN SHOWN ARE THE PROPERTY OF OPTICAL CABLE CORPORATION AND MAY NOT BE USED AS THE BASIS FOR MANUFACTURE OR SALE WITHOUT SPECIFIC WRITTEN PERMISSION OF OPTICAL CABLE CORPORATION.
MATERIAL PLATE: 16 GAGE CRS (.060 THICK)	FINISH PLATE: POWDER COAT BLACK PER OCC SPEC# 10002501
DRAWN D.A.HOLBERT	DATE 3/11/14
CHECKED J.HOWE	DATE 3/14/14
ENGINEER J.YANIK	DATE 3/11/14
APPROVED CALLOWAY	DATE 8/16/22
PREVIOUS DWG	
NEXT DWG	FILENAME C111805A.dft



5290 Concourse Drive
Roanoke, VA 24019
Phone: 800-622-7711
Fax: 540-265-0724
www.occfiber.com

DWG TITLE CUSTOMER DRAWING,
ADAPTER PLATE ASSY, HD,
PANEL, UNLOADED, OCC

SIZE B	DWG NO. C111805	REV A
SCALE: NONE	SHEET 1 OF 1	

PROPRIETARY AND CONFIDENTIAL