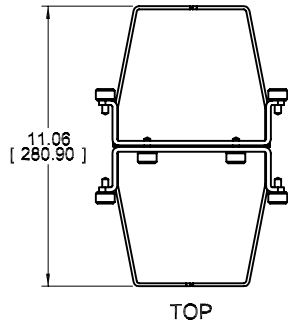
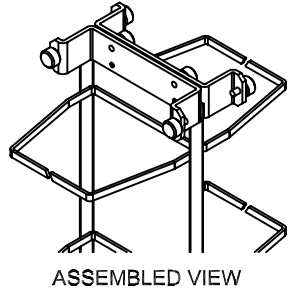


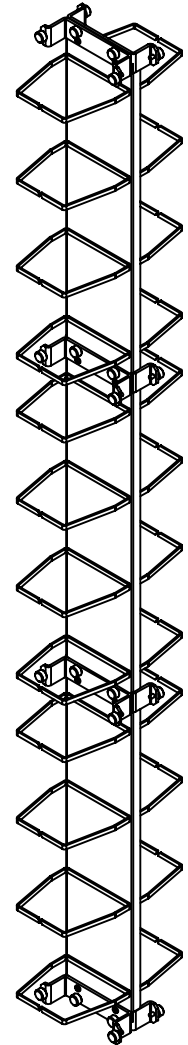
REVISION HISTORY				
REV	SHIT	DESCRIPTION	DATE	BY
A	ALL	RELEASE NEW	4/12/06	RBS



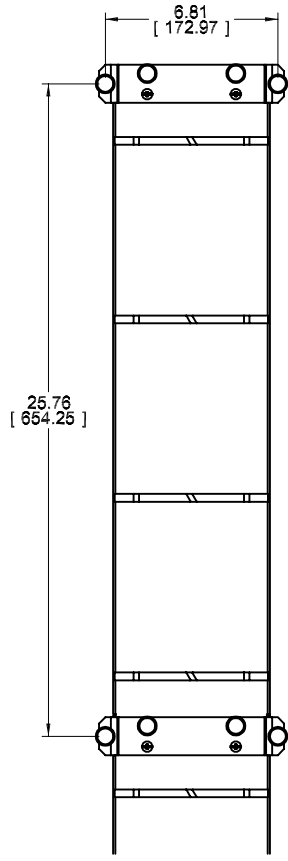
TOP



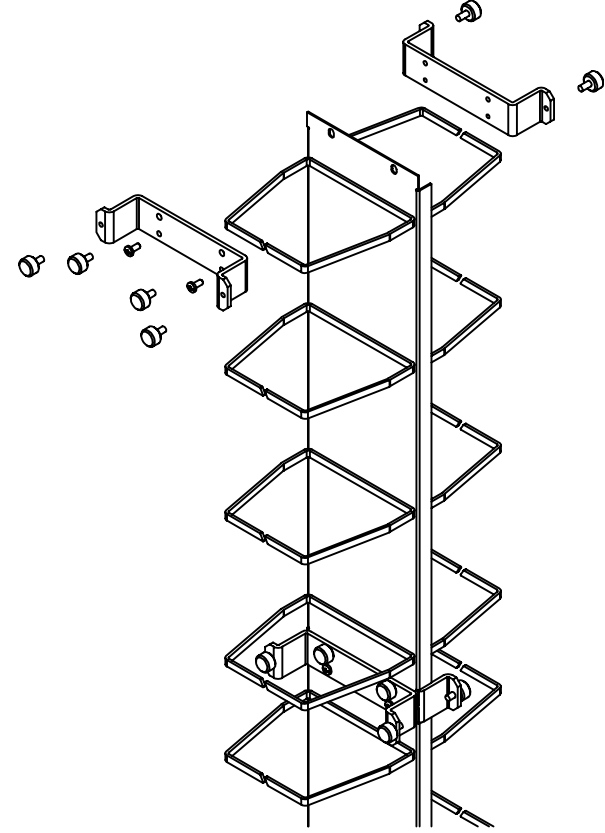
ASSEMBLED VIEW



COMPLETE ASSEMBLY

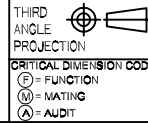


FRONT



EXPLODED VIEW

UNCONTROLLED COPY



VCM6	ORGANIZER, VERTICAL CABLE MANAGER, 6 INCHES X 7 FEET
OCC PART NO.	DESCRIPTION
<b>UNCONTROLLED COPY</b>	
<small>UNLESS OTHERWISE SPECIFIED DIMENSIONS ARE IN INCHES. TOLERANCES: FRACTIONS ±1/32" ANGLES ±1/2° 3 PLACE DECIMALS ±.005" 2 PLACE DECIMALS ±.01"</small>	
<small>THIS DRAWING AND THE DESIGN SHOWN ARE THE PROPERTY OF OPTICAL CABLE CORPORATION AND MAY NOT BE USED AS THE BASIS FOR MANUFACTURE OR SALE WITHOUT SPECIFIC WRITTEN PERMISSION OF OPTICAL CABLE CORPORATION.</small>	
MATERIAL	SEE BILL OF MATERIAL
FINISH	SEE NOTES
CRITICAL DIMENSION CODE	(F) = FUNCTION (M) = MATING (A) = AUDIT
DRAWN	D.A.HOLBERT DATE 4/12/06
CHECKED	R.B.SMITH DATE 4/12/06
ENGINEER	J.YANIK DATE 4/12/06
APPROVED	R.B.SMITH DATE 4/12/06
PREVIOUS DWG	
NEXT DWG	
FILENAME	C100937A.DFT
SCALE	NONE
SHEET	1 OF 1



5290 Concourse Drive  
Roanoke, VA 24019  
Phone: 800-622-7711  
Fax: 540-265-0724  
www.occfiber.com

DWG TITLE  
**CUSTOMER DRAWING,  
VCM6 ASSEMBLY,  
VERTICAL CABLE MANAGER**

SIZE C DWG NO. C100937 REV A