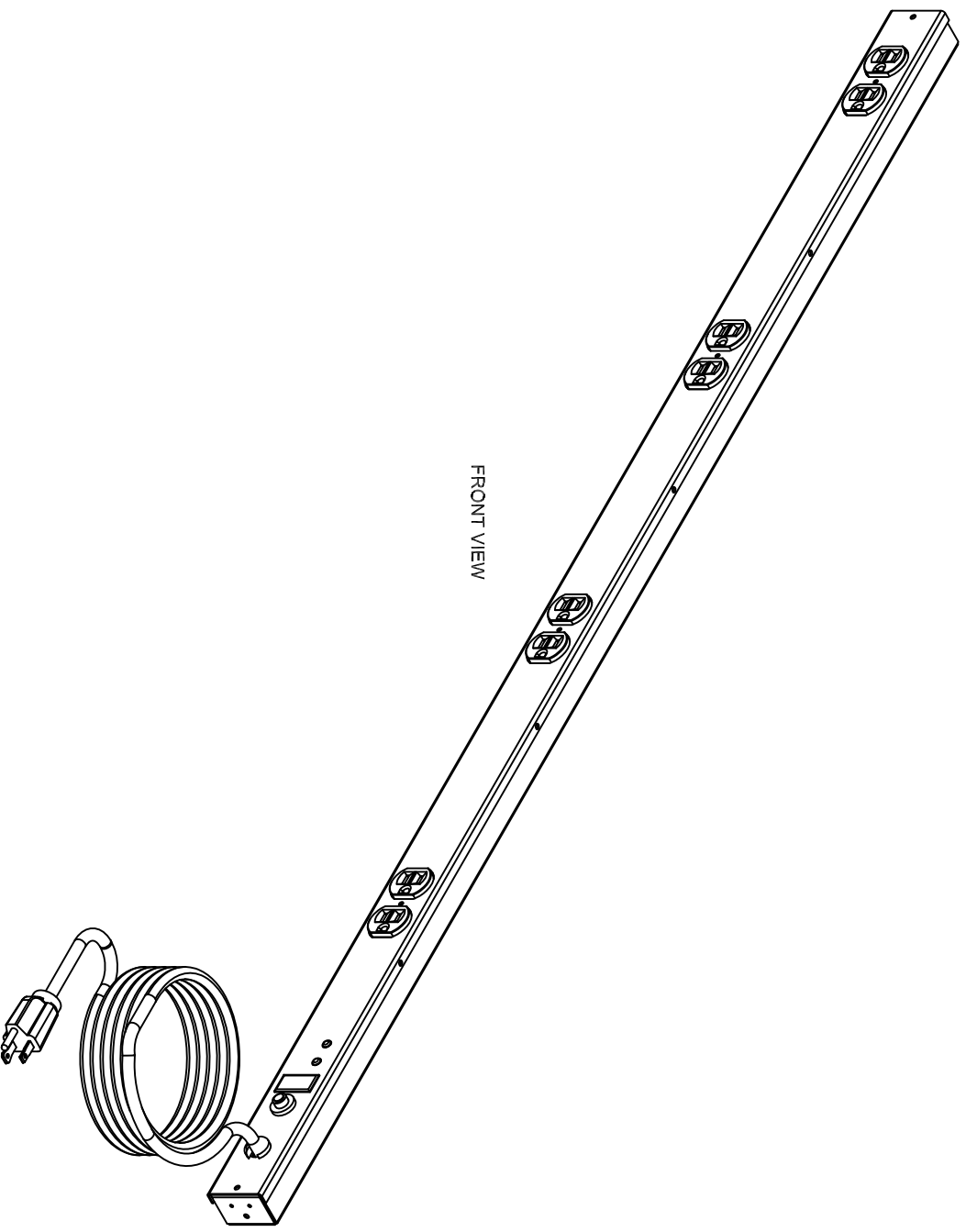


REV	DATE	BY	CHKD	DESCRIPTION
1	1/20/08	JY		NEW



FRONT VIEW

PS320	20A-120V	BLACK
PS315	15A-120V	BLACK
OCC PART NO.	RATING	COLOR

UNLESS OTHERWISE SPECIFIED
 DIMENSIONS ARE IN INCHES
 DECIMALS ARE TO THE NEAREST
 THIRDS UNLESS NOTED OTHERWISE
 TOLERANCES ARE AS FOLLOWS:
 FINISH SEE BILL OF MATERIAL
 MATERIAL SEE BILL OF MATERIAL

THIRD ANGLE PROJECTION	UNLESS OTHERWISE SPECIFIED	THIS DRAWING AND THE DESIGN OR DRAWING ARE THE PROPERTY OF ORCA CAL CORPORATION AND SHALL BE KEPT IN CONFIDENTIALITY. NO PART OF THIS DRAWING OR DESIGN OR DRAWING IS TO BE REPRODUCED OR TRANSMITTED IN ANY FORM OR BY ANY MEANS, ELECTRONIC OR MECHANICAL, INCLUDING PHOTOCOPYING, RECORDING, OR BY ANY INFORMATION STORAGE AND RETRIEVAL SYSTEM, WITHOUT THE WRITTEN PERMISSION OF ORCA CAL CORPORATION.
ANGLE OF PROJECTION	FINISH	SEE BILL OF MATERIAL
SCALE	DATE	FILENAME
1/2" = 1"	1/20/08	C300178A.dwg
1/2" = 1"	1/20/08	C300178
1/2" = 1"	1/20/08	1 OF 1

UNCONTROLLED COPY

