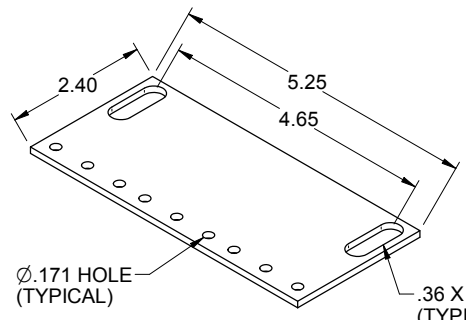
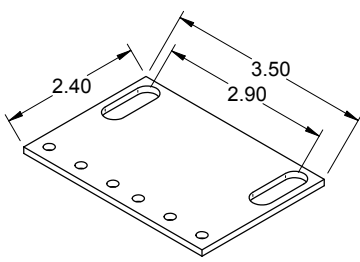


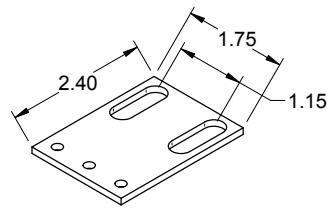
REVISION HISTORY				
REV/SHT	DESCRIPTION	DATE	ECN	CHECKED
A	ALL RELEASE NEW	7/21/06	NEW	DAH
B	ADDED: DWG VIEWS OF VARIOUS PARTS, AS APPLICABLE	5/1/12	NEW	JH



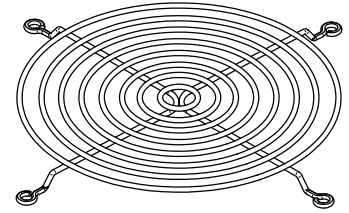
PART NO. RED3



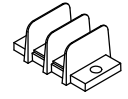
PART NO. RED2



PART NO. RED1



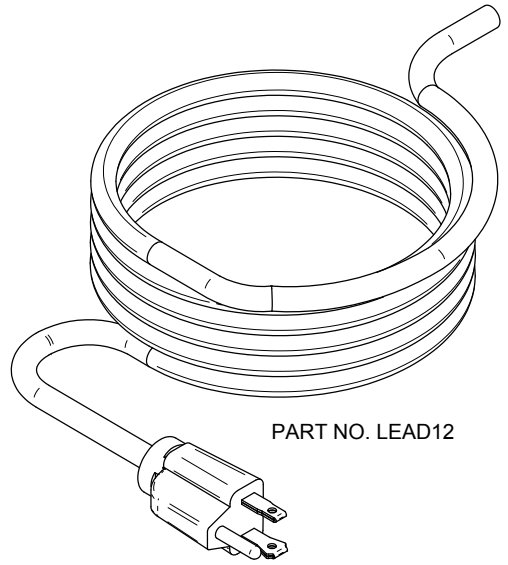
PART NO. GUARD
GUARD2
GUARD4



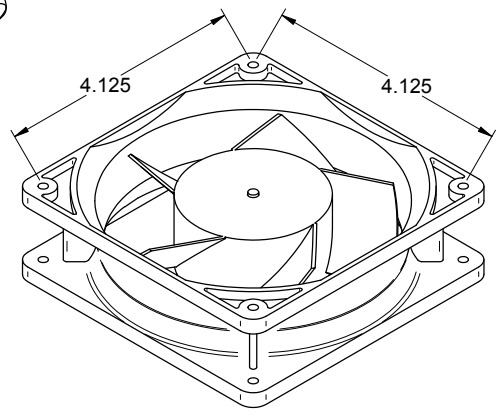
PART NO. BLOCK
(P/N BLOCKEND & P/N BLOCKCVR)
NOT SHOWN FOR CLARITY



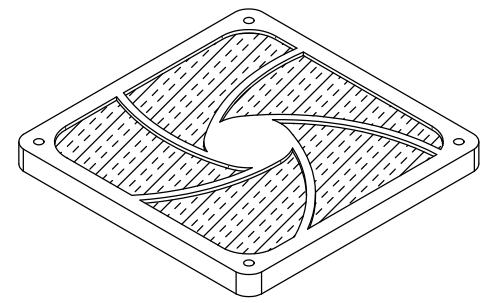
PART NO. STRNRELIEF



PART NO. LEAD12

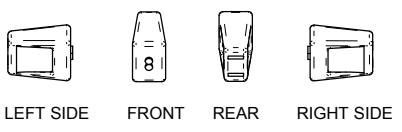


PART NO. MX2A1 (SHOWN)
MX2B1
MX3B1
WX2A1
WX2H1



PART NO. FFAN

FFAN	FILTER, FOR FAN ASSEMBLY
RED3	REDUCER, 23" TO 19", 5.25", 3RU, PAIR
RED2	REDUCER, 23" TO 19", 3.5", 2RU, PAIR
RED1	REDUCER, 23" TO 19", 1.75", 1RU, PAIR
GUARD4	FINGER GUARD, FAN4 (4 SUPPLIED PER SET)
GUARD2	FINGER GUARD, FAN2 (2 SUPPLIED PER SET)
GUARD	FINGER GUARD, FAN3 (3 SUPPLIED PER SET)
WX2H1	FAN, WHISPER, 110VAC
WX2A1	FAN, WHISPER, ULTRA QUIET, 115VAC, SPECIAL
MX3B1	FAN, BALL-BEARING, MUFFIN, AC, 220V
MX2B1	FAN, BALL-BEARING, MUFFIN, XL, AC, 115VAC
MX2A1	FAN, PLAIN-BEARING, MX2B1 STYLE, 115VAC
POWER	POWER LEAD, FOR MX2B1 FAN
STRNRELIEF	STRAIN RELIEF, BUSHING, FOR LEAD
LEAD12	POWER LEAD, 12 FOOT, BLACK W/3 PRONG PLUG
BLOCKCVR	COVER, TERMINAL BLOCK
BLOCKEND	BLOCK, END SECTION
BLOCK	TERMINAL BLOCK, FOR FANS
OCC PART NO.	DESCRIPTION



LEFT SIDE FRONT REAR RIGHT SIDE
PART NO. POWER
LEADS (NOT SHOWN FOR CLARITY)
(1 EACH) RED, GREEN, WHITE, BLACK

NOTES: UNLESS OTHERWISE SPECIFIED.
1. ALL DIMENSIONS ARE IN ENGLISH MEASUREMENT UNITS.

UNCONTROLLED COPY

THIRD ANGLE PROJECTION CRITICAL DIMENSION CODE ⊕ = FUNCTION ⊗ = MATING ⊙ = AUDIT	MATERIAL SEE BILL OF MATERIAL	FINISH SEE BILL OF MATERIAL	UNLESS OTHERWISE SPECIFIED DIMENSIONS ARE IN INCHES TOLERANCES: FRACTIONS: ±1/32" ANGLES: ±0.1° 3 PLACE DECIMALS ±.01" 2 PLACE DECIMALS ±.01"	THIS DRAWING AND THE DESIGN SHOWN ARE THE PROPERTY OF OPTICAL CABLE CORPORATION AND MAY NOT BE USED AS THE BASIS FOR MANUFACTURE OR SALE WITHOUT SPECIFIC WRITTEN PERMISSION OF OPTICAL CABLE CORPORATION.		33 Superior Way Swannanoa, NC 28778 Phone: 828-298-2260 Fax: 828-298-2487 www.occfiber.com
	DRAWN: D.A.HOLBERT CHECKED: R.B.SMITH ENGINEER: J.YANIK APPROVED: J.HOWE	DATE: 7/21/06 DATE: 1/31/08 DATE: 7/21/06 DATE: 5/1/12	DWG TITLE RACK SOLUTIONS, VARIOUS FAN & PANEL PARTS	SIZE: C DWG NO.: C300219 REV: B	NEXT DWG: _____ FILENAME: C300219B.dft SCALE: NONE SHEET: 1 OF 1	