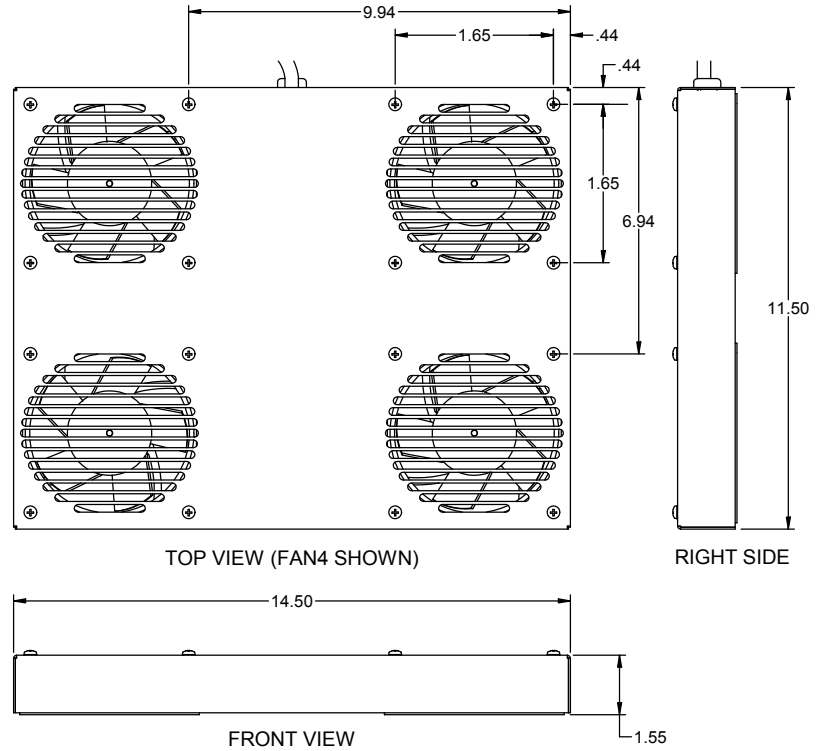
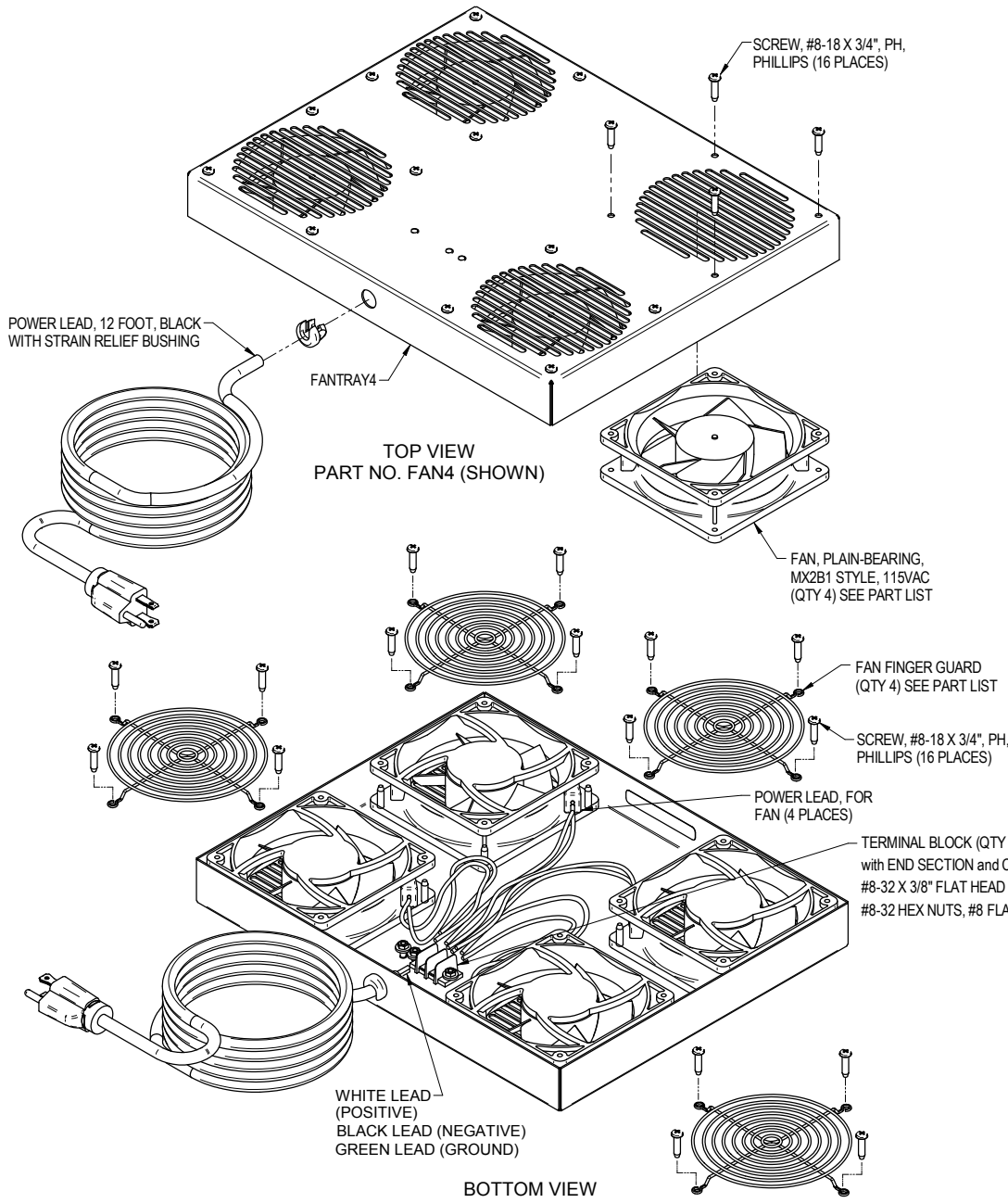


REVISION HISTORY				
REV	SHT	DESCRIPTION	DATE	CHECKED
A	ALL	RELEASE NEW	11/15/06	NEW RBS
B	-	CHGD. QTY OF STRAIN RELIEF; UPDATED TO OCC LABELING	1/21/05	- RBS
C	-	UPDATED TO SHOW FINGER GUARDS	5/1/12	- JH

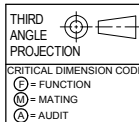


FAN4XQ	4 FANS, WHISPER, 110VAC, w/4 GUARDS & TERMINAL BLOCKS
FAN4-220	4 FANS, BALL-BEARING, MUFFIN, AC, 220VAC, w/4 GUARDS & BLOCKS
FAN4	4 FANS, PB, MX2B1 STYLE, 115VAC, w/4 GUARDS & TERMINAL BLOCKS
OCC PART NO.	PART LIST

FAN4XQ	FAN ASSY, 4-TRAY, WHISPER QUIET, W/CORD
FAN4-220	FAN ASSY, 4-TRAY, 220VAC, NO CORD
FAN4	FAN ASSY, 4-TRAY, WITH CORD
OCC PART NO.	DESCRIPTION

NOTES: UNLESS OTHERWISE SPECIFIED.  
1. DIMENSIONS ARE IN ENGLISH MEASUREMENTS.

**UNCONTROLLED COPY**



UNLESS OTHERWISE SPECIFIED DIMENSIONS ARE IN INCHES. TOLERANCES: FRACTIONS: ±1/32" ANGLES: ±1/32" 3 PLACE DECIMALS ±.005" 2 PLACE DECIMALS ±.01"		THIS DRAWING AND THE DESIGN SHOWN ARE THE PROPERTY OF OPTICAL CABLE CORPORATION AND MAY NOT BE USED AS THE BASIS FOR MANUFACTURE OR SALE WITHOUT SPECIFIC WRITTEN PERMISSION OF OPTICAL CABLE CORPORATION.	
MATERIAL SEE BILL OF MATERIAL	FINISH SEE BILL OF MATERIAL	CHECKED R.B.SMITH DATE 8/31/07	ENGINEER J.YANIK DATE 11/21/05
APPROVED J.HOWE DATE 5/1/12	PREVIOUS DWG	DATE 11/21/05	DATE 5/1/12
FILENAME C300150C.dft	SCALE: NONE	SHEET 1 OF 1	

**OCC**  
OPTICAL CABLE CORPORATION

33 Superior Way  
Swannanoa, NC 28778  
Phone: 828-298-2260  
Fax: 828-298-2487  
www.occfiber.com

DWG TITLE: CUSTOMER DRAWING, FAN ASSEMBLY, 4-TRAY, W/CORD

SIZE: C

DWG NO.: **C300150**

REV: C