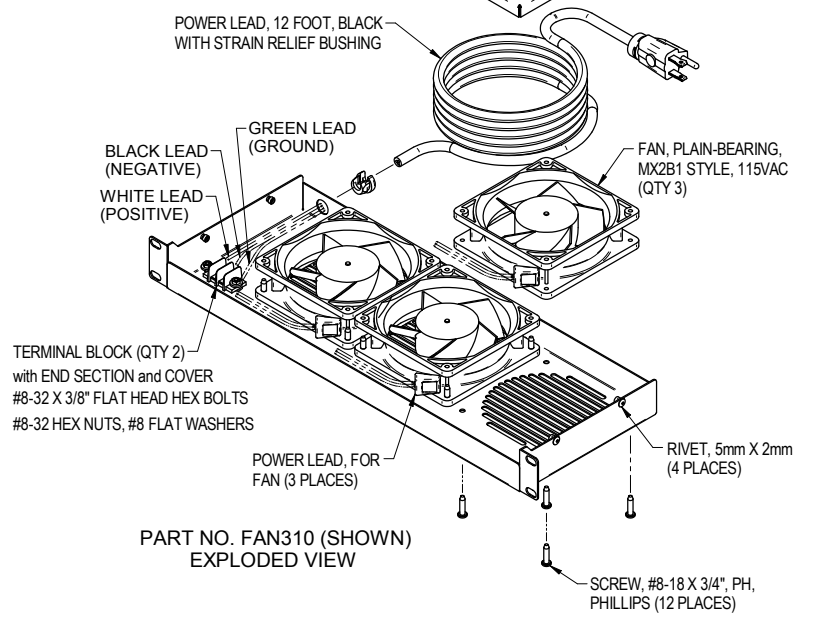
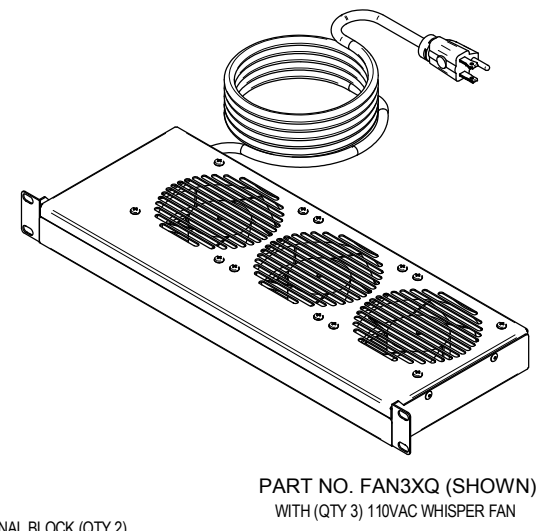
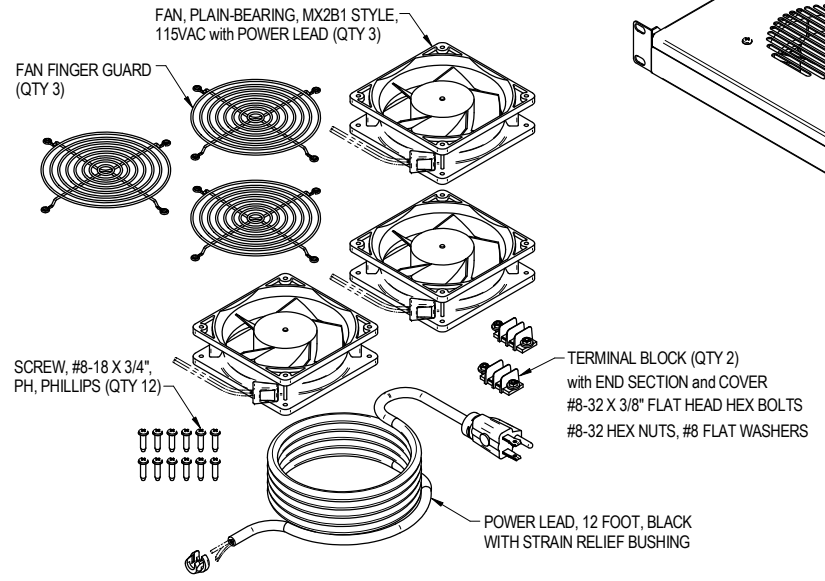
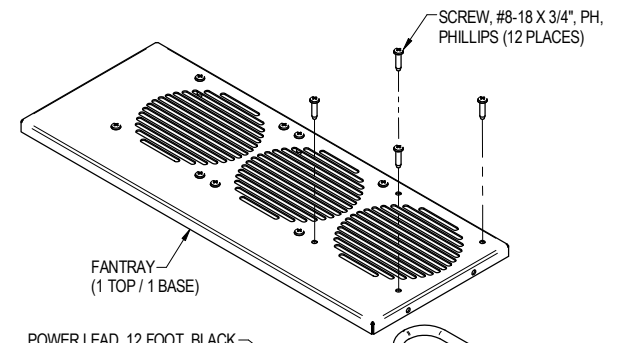
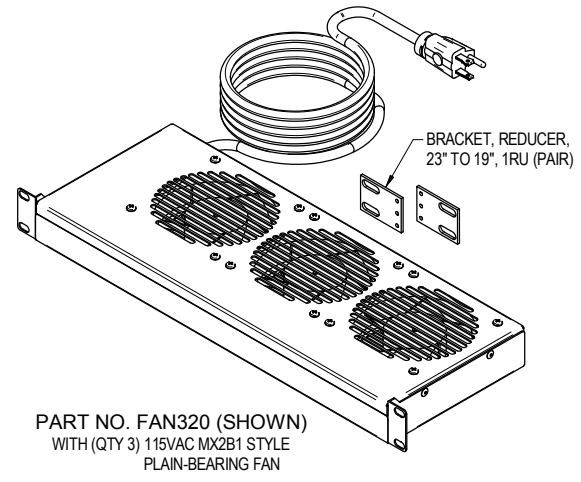
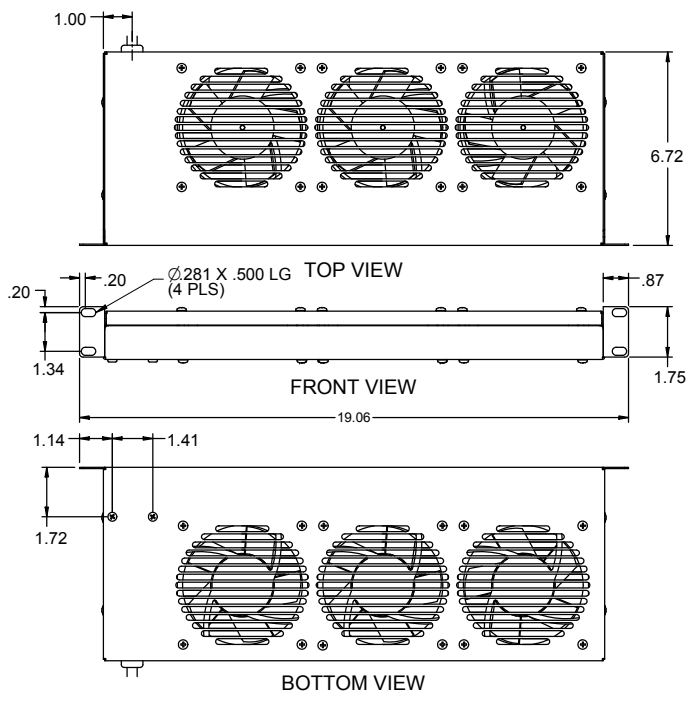


REVISION HISTORY				
REV/SHT	DESCRIPTION	DATE	ECN	CHECKED
A	ALL RELEASE NEW	11/15/06	NEW	RBS
B	- CHGD. QTY OF STRAIN RELIEF; UPDATED TO OCC LABELING	1/21/05	-	RBS
C	- UPDATED TO SHOW FINGER GUARDS	5/1/12	-	JH



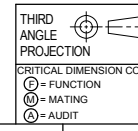
NOTES: UNLESS OTHERWISE SPECIFIED.
1. DIMENSIONS ARE IN ENGLISH MEASUREMENTS.

UNCONTROLLED COPY

FAN320	FAN ASSY, 3-TRAY, RED1, WITH CORD, FOR 23" CABINETS
FAN310	FAN ASSY, 3-TRAY, WITH CORD, FOR 19" CABINETS
FAN3XQ	FAN ASSY, 3-TRAY, WHISPER QUIET, W/CORD, FOR 19" CABINETS
FAN3	FAN ASSY, 3-TRAY, TOP MOUNT, WITH CORD, FOR 23" CABINETS

OCC PART NO.	DESCRIPTION
UNLESS OTHERWISE SPECIFIED THIS DRAWING AND THE DESIGN SHOWN ARE THE PROPERTY OF OPTICAL CABLE CORPORATION AND MAY NOT BE USED AS THE BASIS FOR MANUFACTURE OR SALE WITHOUT SPECIFIC WRITTEN PERMISSION OF OPTICAL CABLE CORPORATION.	
DRAWN	D.A.HOLBERT DATE 11/15/06
CHECKED	R.B.SMITH DATE 2/13/07
ENGINEER	J.YANIK DATE 11/15/06
APPROVED	J.HOWE DATE 5/1/12
PREVIOUS DWG	
NEXT DWG	FILENAME C300174C.dft

SIZE	C	DWG NO.	C300174	REV	C
SCALE	NONE	SHEET	1 OF 1		



DWG TITLE **CUSTOMER DRAWING, FAN ASSEMBLY, 3-TRAY, W/CORD**