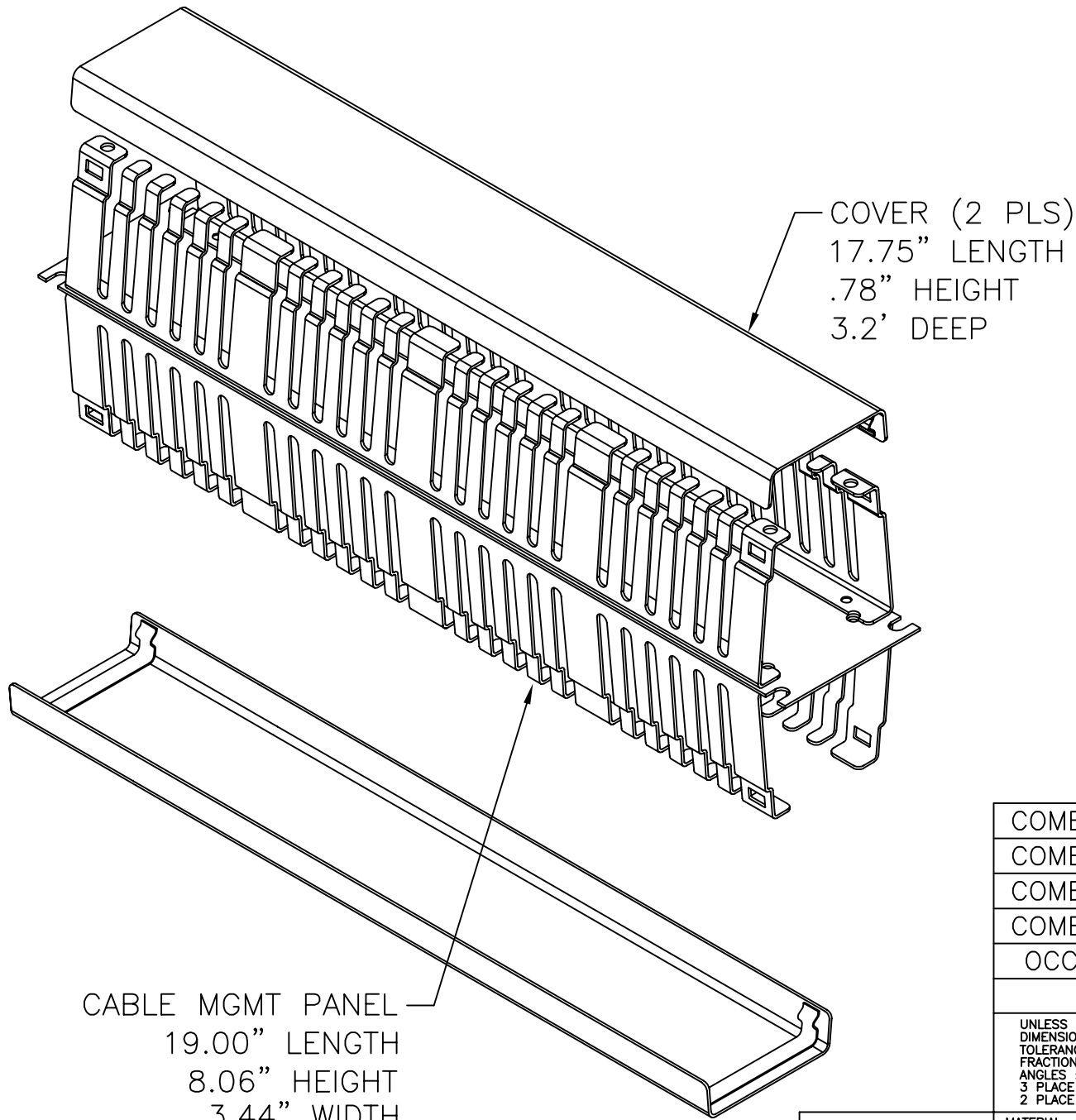


REV		REVISIONS			DATE	ECN	CHECKED
A	ALL	RELEASE	NEW		4/11/02	NEW	RBS



COMBD351906NL	ORGANIZER ASSY, DBL-SIDED, CABLE MGMT BRACKET, BLACK
COMBD351902NL	ORGANIZER ASSY, DBL-SIDED, CABLE MGMT BRACKET, BLACK
COMBD351906	ORGANIZER ASSY, DBL-SIDED, CABLE MGMT BRKT, SMP, GRAY
COMBD3519	ORGANIZER ASSY, DBL-SIDED, CABLE MGMT BRKT, SMP, BLACK
OCC PART NO.	DESCRIPTION

UNCONTROLLED COPY

UNLESS OTHERWISE SPECIFIED
DIMENSIONS ARE IN INCHES
TOLERANCES:
FRACTIONS ±1/32"
ANGLES ±1/2"
3 PLACE DECIMALS ±.005"
2 PLACE DECIMALS ±.01"

THIS DRAWING AND THE DESIGN SHOWN ARE THE
PROPERTY OF OPTICAL CABLE CORPORATION AND
MAY NOT BE USED AS THE BASIS FOR MANU-
FACTURE OR SALE WITHOUT SPECIFIC WRITTEN
PERMISSION OF OPTICAL CABLE CORPORATION.



5290 Concourse Drive
Roanoke, VA 24019
Phone: 800-622-7711
Fax: 540-265-0724
www.occfiber.com



MATERIAL
PANEL: 16 GAGE CRS
COVER: 16 GAGE CRS

CRITICAL DIMENSION CODE
Ⓢ = FUNCTION
Ⓜ = MATING
Ⓐ = AUDIT

FINISH
PAINTED PER OCC
SPECIFICATION 100025

DRAWN BY	D.A.HOLBERT	DATE	4/11/02
CHECKED BY	R.B.SMITH	DATE	4/20/02
ENGINEER	J.YANIK	DATE	4/11/02
APPROVED	H.JOHNSON	DATE	3/16/10
PREVIOUS DWG			
NEXT DWG			

DWG TITLE		CABLE MGMT PANEL, 24 PORT, COMBD3519	
SIZE	B	DWG NO.	C101727
REV	A	SCALE	NONE
		SHEET	1 OF 1

FILENAME C101727A.DWG