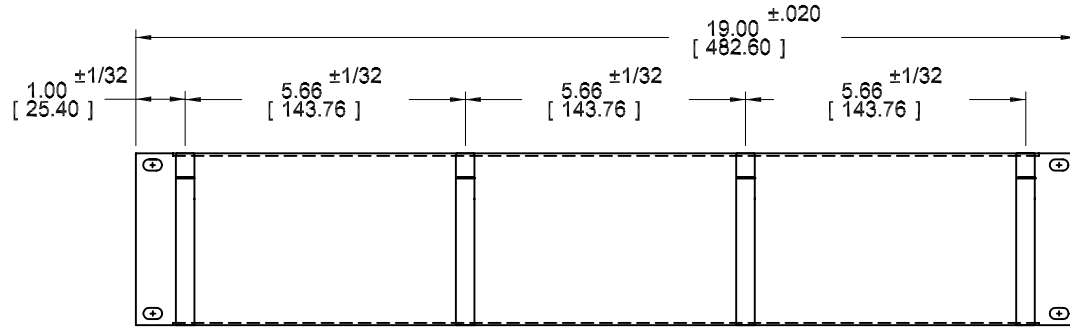
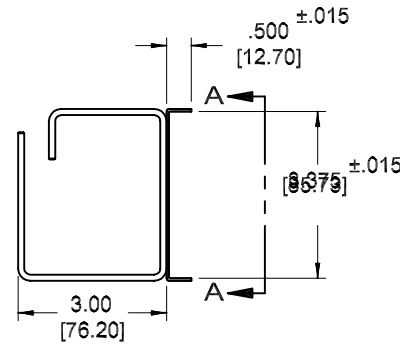


Cable Organizer

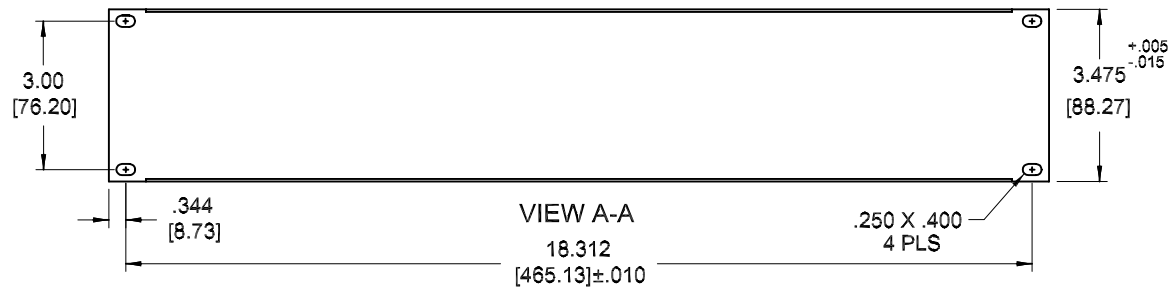
REVISION HISTORY				
REV/SHT	DESCRIPTION	DATE	ECN	CHECKED
A	ALL RELEASE NEW	11/28/01	NEW	RBS
B	- ADDED: ISOMETRIC VIEW	3/13/03	-	DAH
C	- ADDED: NOTES FOR CLARITY	1/3/06	-	JY
D	- ADDED: METRIC CONVERSIONS	12/8/06	-	JY



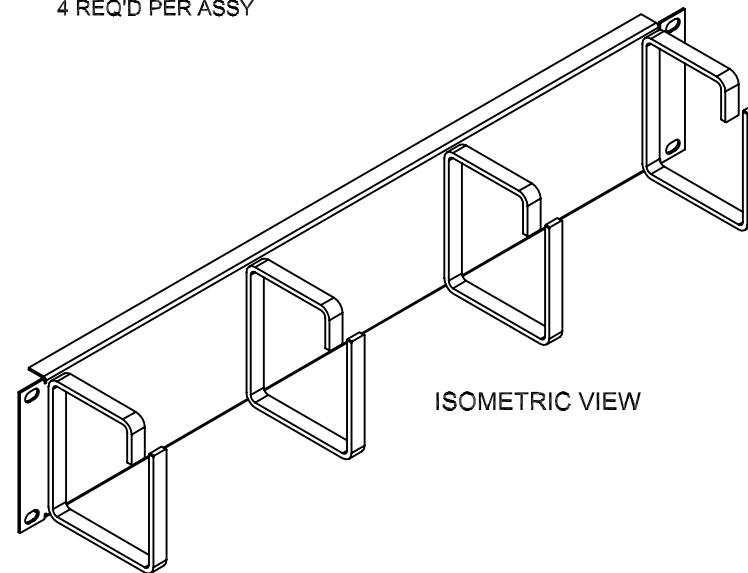
FRONT VIEW



SIDE VIEW
4 REQ'D PER ASSY



VIEW A-A

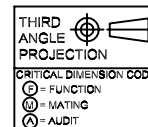



ISOMETRIC VIEW

NOTES: UNLESS OTHERWISE SPECIFIED.

1. DIMENSIONS ARE IN ENGLISH MEASUREMENTS.
BRACKETS AFTER DIMENSIONS ARE METRIC CONVERSIONS.

UNCONTROLLED COPY



CO3519L	CABLE ORGANIZER, INTRABAY, 3.5" X 19", BLACK	
OCC PART NO.	DESCRIPTION	
UNLESS OTHERWISE SPECIFIED DIMENSIONS ARE IN INCHES TOLERANCES FRACTIONS ±1/32" ANGLES ±1/2° 3 PLACE DECIMALS ±.005" 2 PLACE DECIMALS ±.01"	THIS DRAWING AND THE DESIGN SHOWN ARE THE PROPERTY OF OPTICAL CABLE CORPORATION AND MAY NOT BE USED AS THE BASIS FOR MANUFACTURE OR SALE WITHOUT SPECIFIC WRITTEN PERMISSION OF OPTICAL CABLE CORPORATION.	 6290 Concourse Drive Roanoke, VA 24019 Phone: 800-622-7711 Fax: 540-265-0724 www.occfiber.com
MATERIAL PANEL: CRS 18 GAGE HOOPS: 1/8" CRS, 1/2 HARD FLAT WIRE	DRAWN: D.A.HOLBERT DATE: 11/28/01	DWG TITLE: CUSTOMER DRAWING, CABLE ORGANIZER, INTRABAY, 3.50" X 19"
FINISH PAINTED BLACK PER OCC PAINT SPEC# 10002601	CHECKED: R.B.SMITH DATE: 12/8/06	SIZE: C
CRITICAL DIMENSION CODE: ⊕ = FUNCTION ⊖ = MATING ⊗ = AUDIT	ENGINEER: J.YANIK DATE: 11/28/01	DWG NO: C105086
	APPROVED: J.HOWE DATE: 12/8/06	REV: D
	PREVIOUS DWG	SCALE: NONE
	NEXT DWG	SHEET: 1 OF 1
	FILENAME: C105086D.ppt	