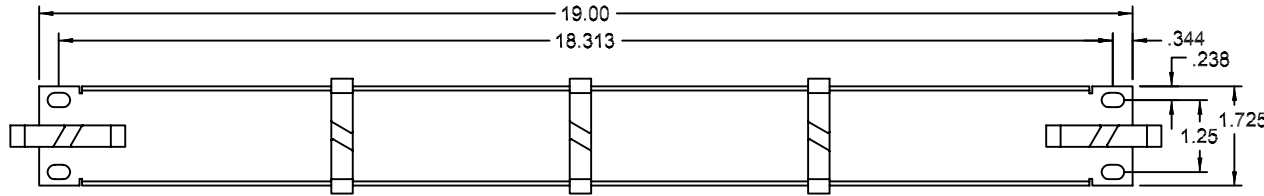
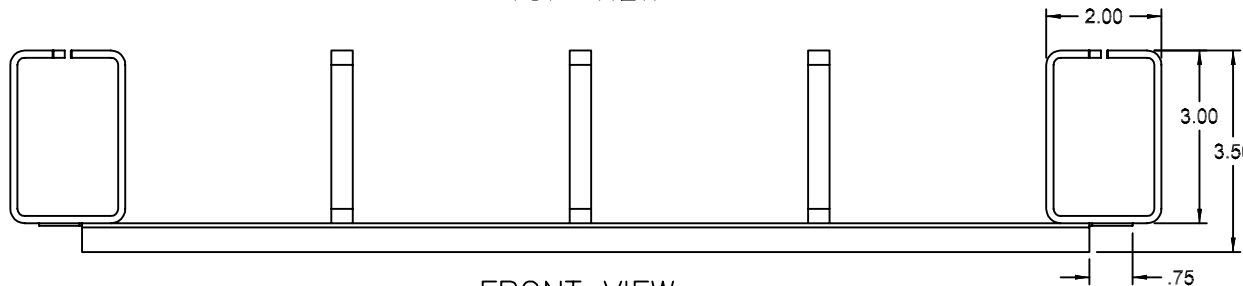


Interbay Cable Organizer

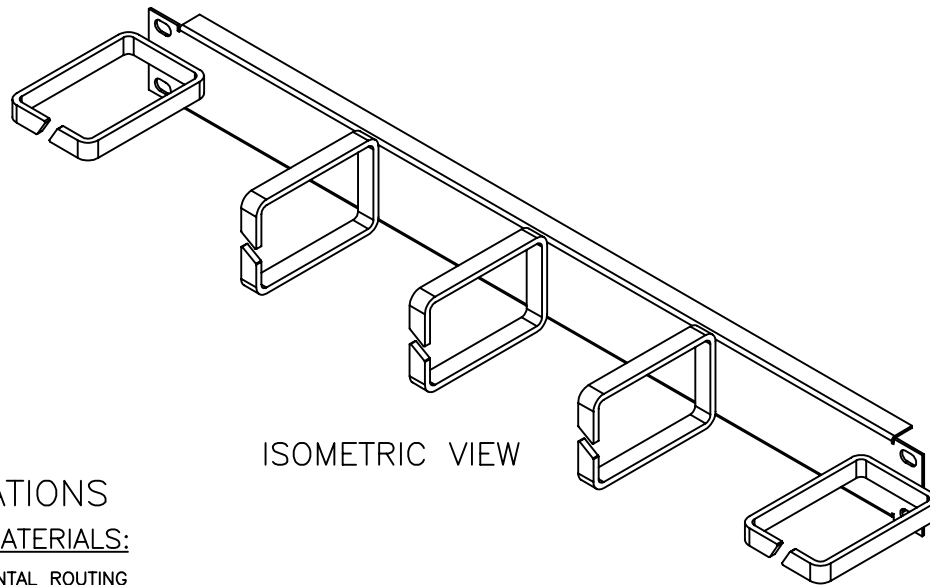
REV		SHT		DESCRIPTION		DATE	ECN	CHECKED
A	ALL	RELEASE	NEW			1/21/02	NEW	RBS
B	-	CHGD:	DETAIL VIEWS TO CURRENT DESIGN LAYOUT			11/5/10	-	DAH



TOP VIEW

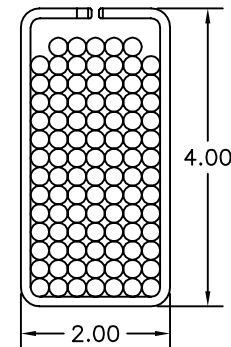


FRONT VIEW



ISOMETRIC VIEW

MAXIMUM RING CABLE CAPACITY



MAXIMUM OPTIMUM OF 96 FOUR-PAIR CABLES (.25" OD) CAN FIT IN A STANDARD VERTICAL PATH WHILE MAINTAINING PROPER ADMINISTRATION FACILITY.

.25" OUTSIDE DIAMETER IS A GOOD WORST CASE ESTIMATE FOR DETERMINING 4-PAIR CABLE VOLUME REQUIREMENTS.

SPECIFICATIONS

FEATURES/MATERIALS:

- LARGE HORIZONTAL ROUTING CAPABILITIES.
- NORMALLY PLACED AT TOP, MIDDLE, AND BOTTOM OF RACK.
- EXCELLENT WHERE LARGE CABLE PATHS ARE REQUIRED.
- CABLE ORGANIZER IS STEEL CONSTRUCTION PAINTED BLACK.

C017519L	ORGANIZER, CABLE, INTERBAY, 1.75" X 19.00"
OCC PART NO.	DESCRIPTION

UNCONTROLLED COPY

UNLESS OTHERWISE SPECIFIED DIMENSIONS ARE IN INCHES		THIS DRAWING AND THE DESIGN SHOWN ARE THE PROPERTY OF OPTICAL CABLE CORPORATION AND MAY NOT BE USED AS THE BASIS FOR MANUFACTURE OR SALE WITHOUT SPECIFIC WRITTEN PERMISSION OF OPTICAL CABLE CORPORATION.			5290 Concourse Drive Roanoke, VA 24019 Phone: 800-622-7711 Fax: 540-266-0724 www.occfiber.com
TOLERANCES: FRACTIONS ±1/32" ANGLES ±1/2° 3 PLACE DECIMALS ±.005" 2 PLACE DECIMALS ±.01"		DRAWN BY D.A.HOLBERT	DATE 1/21/02		DWG TITLE
THIRD ANGLE PROJECTION	MATERIAL SEE BILL OF MATERIAL	CHECKED BY R.B.SMITH	DATE 1/24/02	SIZE	C
CRTICAL DIMENSION CODE F = FUNCTION M = MATING A = AUDIT	FINISH SEE NOTES	ENGINEER J.YANIK	DATE 1/21/02	DWG NO.	
		APPROVED H.JOHNSON	DATE 11/5/10	SCALE	NONE
		PREVIOUS DWG		SHEET	1 OF 1
		NEXT DWG	FILENAME C105088B.DWG		