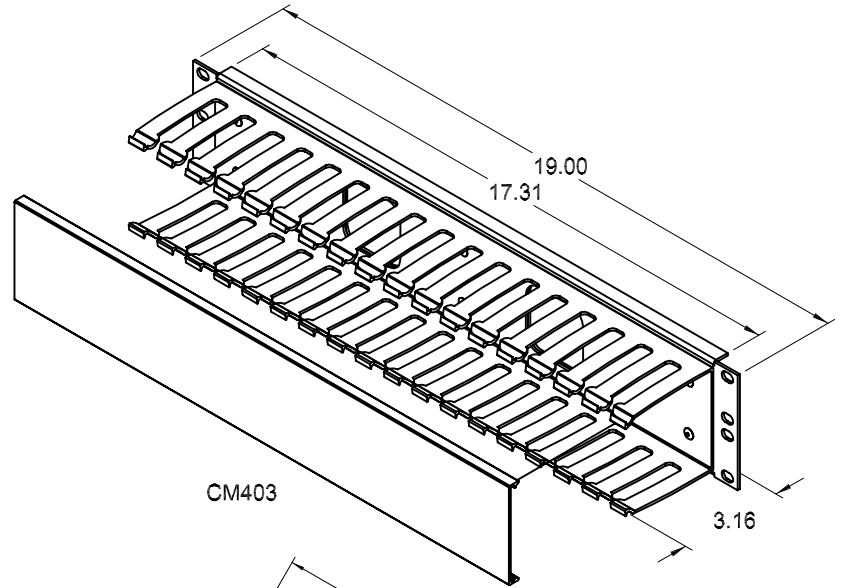
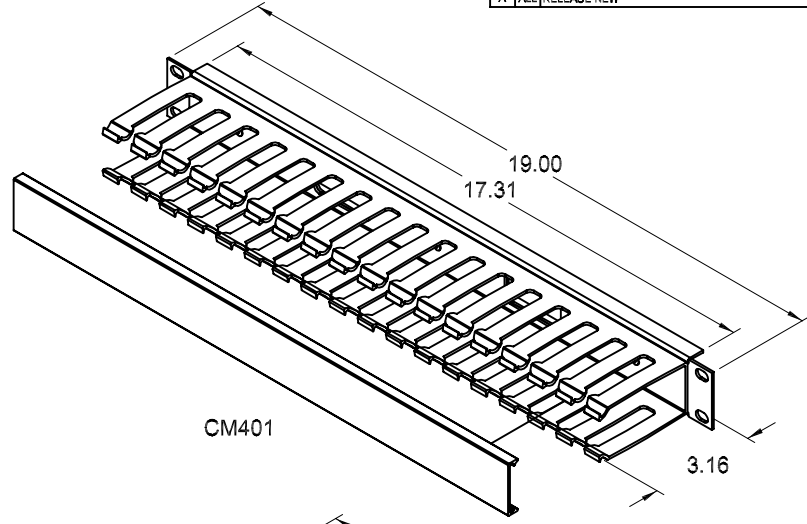


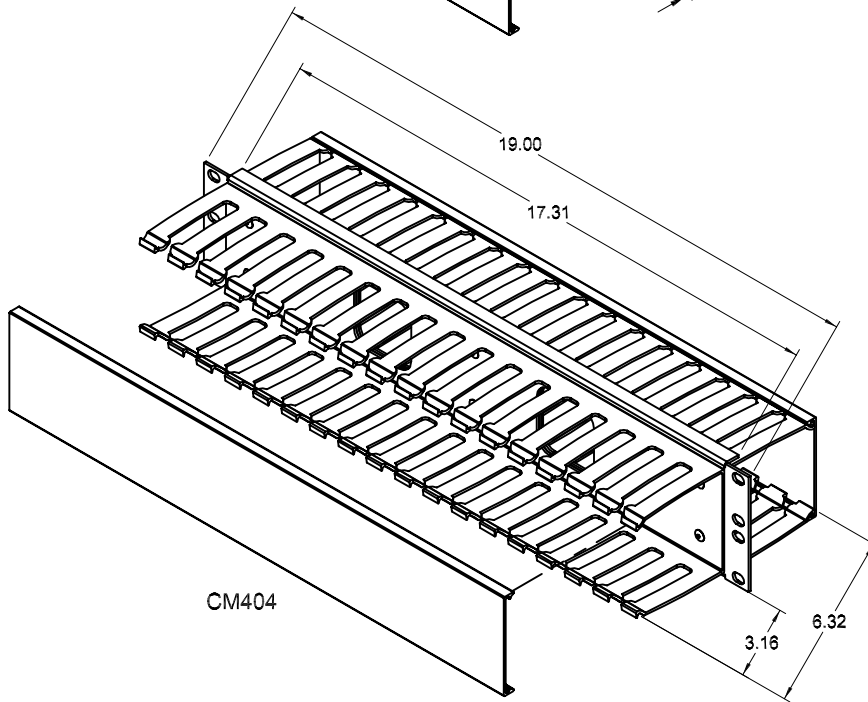
REVISION HISTORY					
REV	SHT	DESCRIPTION	DATE	ENR	CHECKED
A		ALL RELEASE NEW	2/10/08	NEW	JFM



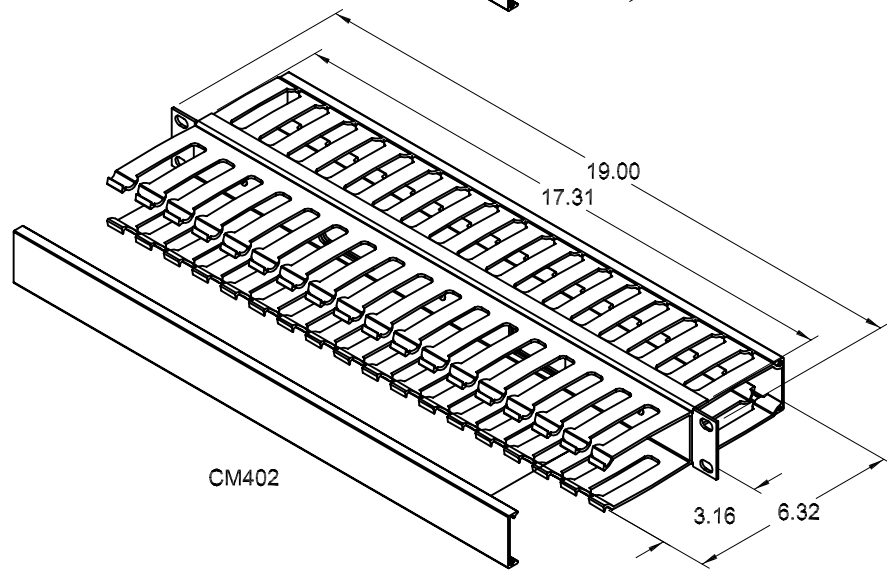
CM403



CM401



CM404



CM402

NOTES: UNLESS OTHERWISE SPECIFIED.
 1. EACH UNIT SHIPPED INDIVIDUALLY BOXED WITH (QTY 4 each) BLACK MOUNTING SCREWS.

UNCONTROLLED COPY

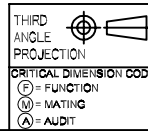
CM404	ORGANIZER, CABLE MGMT, 2U, DOUBLE-SIDED
CM403	ORGANIZER, CABLE MGMT, 2U, SINGLE-SIDED
CM402	ORGANIZER, CABLE MGMT, 1U, DOUBLE-SIDED
CM401	ORGANIZER, CABLE MGMT, 1U, SINGLE-SIDED
OCC PART NO.	DESCRIPTION

UNLESS OTHERWISE SPECIFIED
 DIMENSIONS ARE IN INCHES
 TOLERANCES: FRACTIONS ±1/32"
 ANGLES ±1/2°
 3 PLACE DECIMALS ±.005"
 2 PLACE DECIMALS ±.01"

THIS DRAWING AND THE DESIGN SHOWN ARE THE PROPERTY OF OPTICAL CABLE CORPORATION AND MAY NOT BE USED AS THE BASIS FOR MANUFACTURE OR SALE WITHOUT SPECIFIC WRITTEN PERMISSION OF OPTICAL CABLE CORPORATION.



5290 Concourse Drive
 Roanoke, VA 24019
 Phone: 800-622-7711
 Fax: 540-265-0724
 www.occfiber.com



MATERIAL: SEE BILL OF MATERIAL MATERIAL: 0.75 THICK
 FINISH: SEE BILL OF MATERIAL COLOR: BLACK
 CRITICAL DIMENSION CODE:
 (F) = FUNCTION
 (M) = MATING
 (A) = AUDIT

DRAWN	D.A.HOLBERT	DATE	2/10/08
CHECKED	J.MALTAIS	DATE	2/13/08
ENGINEER	J.YANIK	DATE	2/10/08
APPROVED	J.HOWE	DATE	2/13/08
PREVIOUS DWG			
NEXT DWG			

DWG TITLE			REV
CUSTOMER DRAWING, CABLE ORGANIZERS, CM4XX ASSEMBLY DWG			
SIZE	DWG NO.	REV	
C	C107581	A	
SCALE	SHEET	1 OF 1	
NONE			

FILENAME	C107581A.DFT	SCALE	NONE	SHEET	1 OF 1
----------	--------------	-------	------	-------	--------