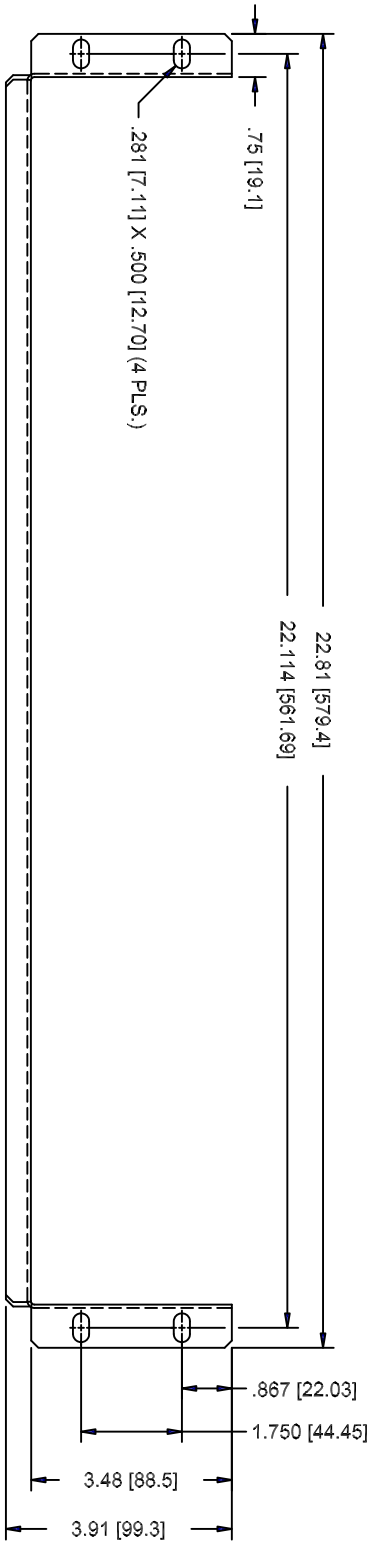
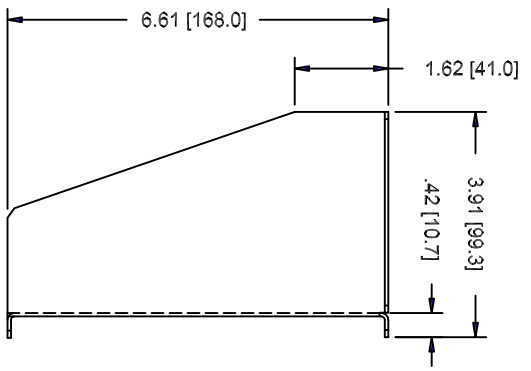


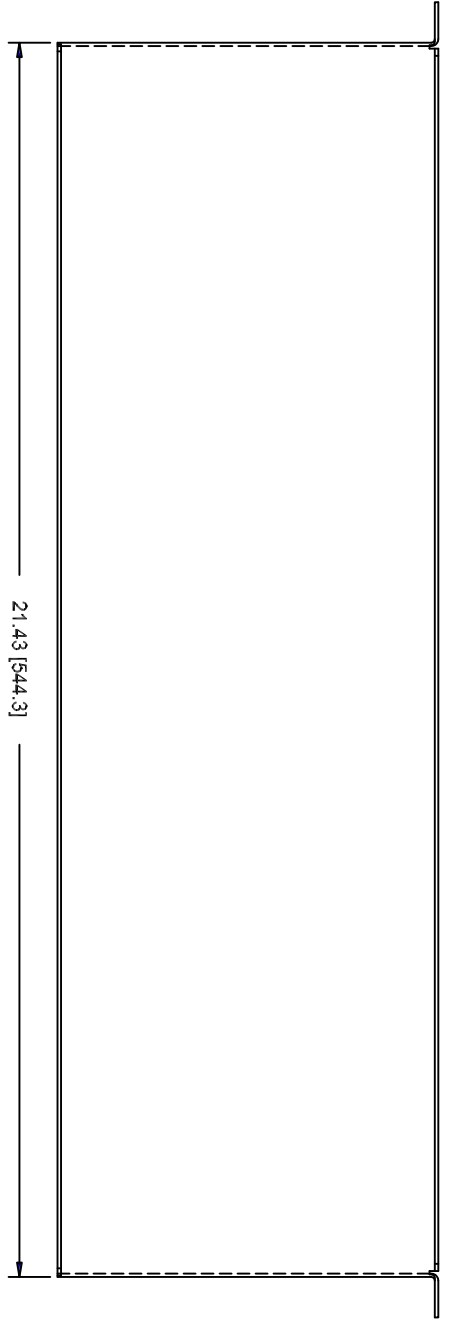
REV	DATE	DESCRIPTION	BY	CHECKED
1	10/05	NEW	JY	



REAR VIEW



LEFT SIDE



TOP VIEW

NOTES: UNLESS OTHERWISE SPECIFIED.

1. DIMENSIONS ARE IN ENGLISH MEASUREMENTS.
BRACKETS AFTER DIMENSIONS ARE METRIC CONVERSIONS.

UNCONTROLLED COPY

OCC PART NO.	9231	COLOR	BLACK
--------------	------	-------	-------

<p>UNLESS OTHERWISE SPECIFIED DIMENSIONS ARE IN INCHES TOLERANCES ARE: FRACTIONS DECIMALS ANGLES 2 PLACE DIMENSIONS ±.005 3 PLACE DIMENSIONS ±.01 WATERMARK</p>	<p>THIS DRAWING AND THE DESIGN SHOWN ARE THE PROPERTY OF OPTICAL CABLE CORPORATION. NO PARTS OR INFORMATION FROM THIS DRAWING IS TO BE REPRODUCED OR TRANSMITTED IN ANY FORM OR BY ANY MEANS, ELECTRONIC OR MECHANICAL, INCLUDING PHOTOCOPYING, RECORDING, OR BY ANY INFORMATION STORAGE AND RETRIEVAL SYSTEM, WITHOUT PERMISSION IN WRITING FROM OPTICAL CABLE CORPORATION.</p>	<p>PROJ. NO. 0300041 DATE 10/5/05 DRAWN E.WETLI CHECKED J.YANIK ENGINEER J.YANIK APPROVED R.B. SMITH PREVIOUS DWG NEXT DWG</p>	<p>DATE 10/5/05 DATE 10/5/05</p>	<p>FILENAME C300041\$A.DFT SCALE NONE SHEET 1 OF 6</p>
---	--	--	--------------------------------------	--



DWG TITLE: SHELF, CANTILEVER, 1 RU, 23" X 7"

SIZE	DWG NO.	REV
C	C300041	A