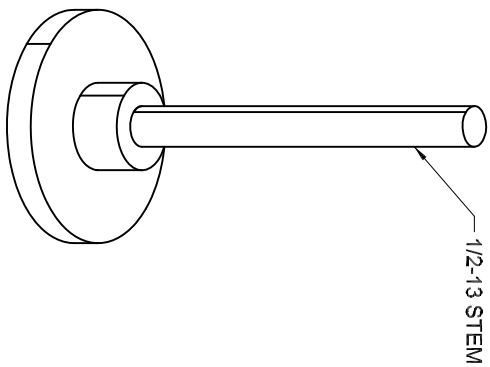
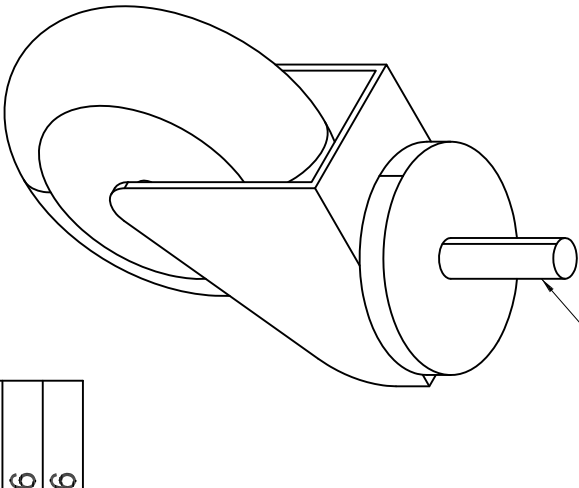


- NOTES: UNLESS OTHERWISE SPECIFIED,
 1. DIMENSIONS ARE IN ENGLISH MEASUREMENTS.
 2. EACH SET OF CASTERS AND LEVELING FEET
 ARE SUPPLIED WITH (QTY 4) 1/2-13 HEX NUTS.

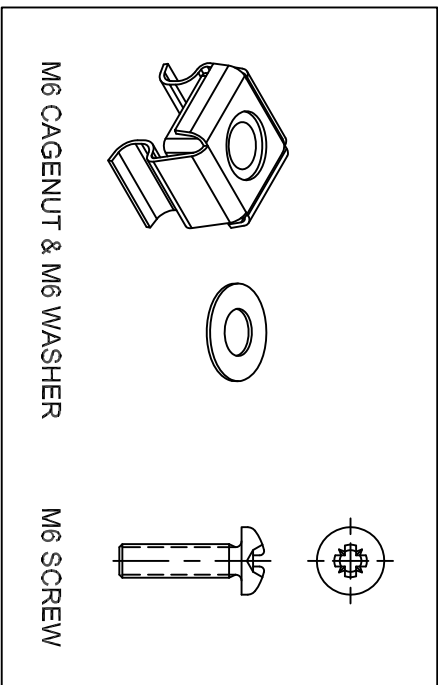


P/N 9172



P/N 9171-HD

REVISION HISTORY			
REV/SHT	DESCRIPTION	DATE	ENR. CHECKED
A	RELEASE NEW	11/16/06	NEW JY
B	ADDED DETAIL VIEW OF LEVELING FEET	7/12/07	- JY



P/N 9074
 P/N 9075

9075	KIT, FASTENER, M6 STYLE, SET OF 100
9074	KIT, FASTENER, M6 STYLE, SET OF 4
9172	LEVELING FEET, HEAVY DUTY, 1/2-13 STEM, SET OF 4
9171-HD	CASTER, HEAVY DUTY, 1/2-13 STEM, SET OF 4
OCC PART NO.	DESCRIPTION

UNCONTROLLED COPY

UNLESS OTHERWISE SPECIFIED
 DIMENSIONS ARE IN INCHES.
 TOLERANCES: FRACTIONS ±1/32"
 ANGLES ±30"
 HOLE SIZES
 3 PLACE DECIMALS ±.01"
 2 PLACE DECIMALS ±.01"

THIS DRAWING AND THE DESIGN SHOWN ARE THE
 PROPERTY OF OPTICAL CABLE CORPORATION
 AND MAY NOT BE USED AS THE BASIS FOR MANU-
 FACTURE OR SALE WITHOUT SPECIFIC WRITTEN
 PERMISSION OF OPTICAL CABLE CORPORATION.
 DRAWN D.A.HOLBERT DATE 11/16/06
 CHECKED J.YANIK DATE 7/12/07
 ENGINEER J.YANIK DATE 11/16/06



5290 Concourse Drive
 Roanoke, VA 24019
 Phone: 800-622-7711
 Fax: 540-265-0724
 www.occfiber.com

DWG TITLE
**CUSTOMER DRAWING,
 HEAVY DUTY CASTERS &
 LEVELING FEET, 1/2-13 STEM**

THIRD ANGLE PROJECTION	
CRITICAL DIMENSION CODE	SEE FINISH
(F) = FUNCTION	SEE NOTES
(M) = MATING	
(A) = AUDIT	

APPROVED R.B. SMITH	DATE 7/12/07
PREVIOUS DWG	
NEXT DWG	

SIZE B	DWG NO. C300225	SCALE NONE	SHEET 1 OF 1
REV B			

UNCONTROLLED COPY