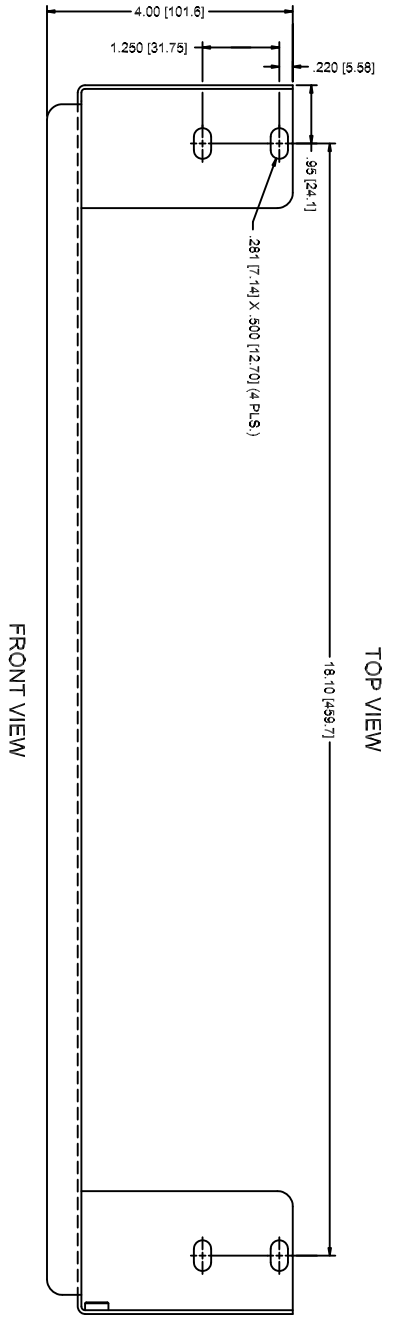
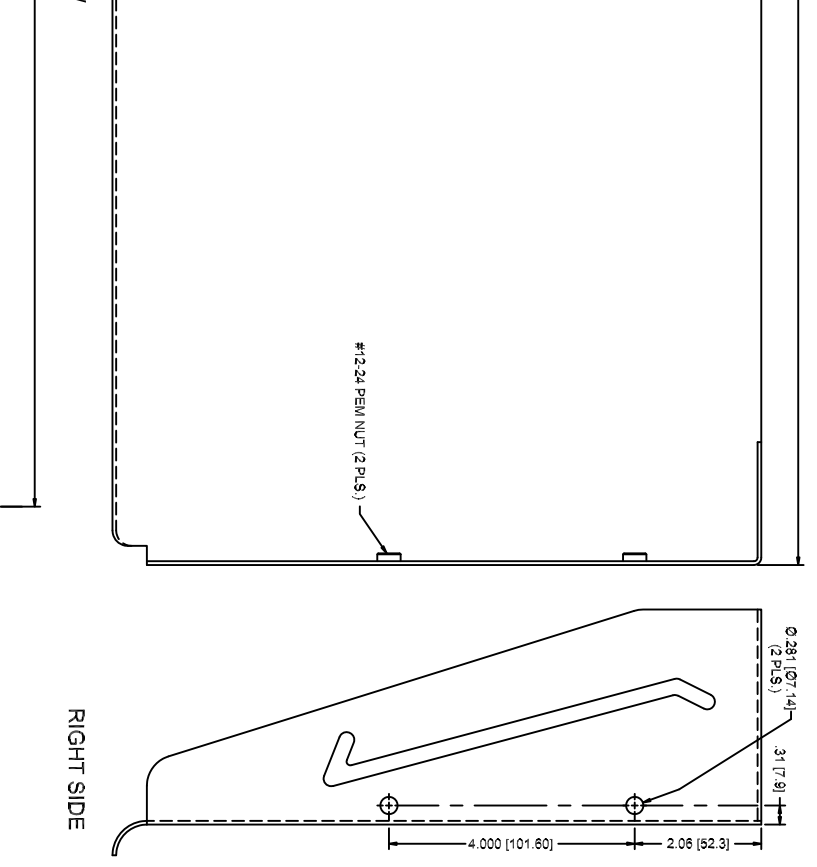
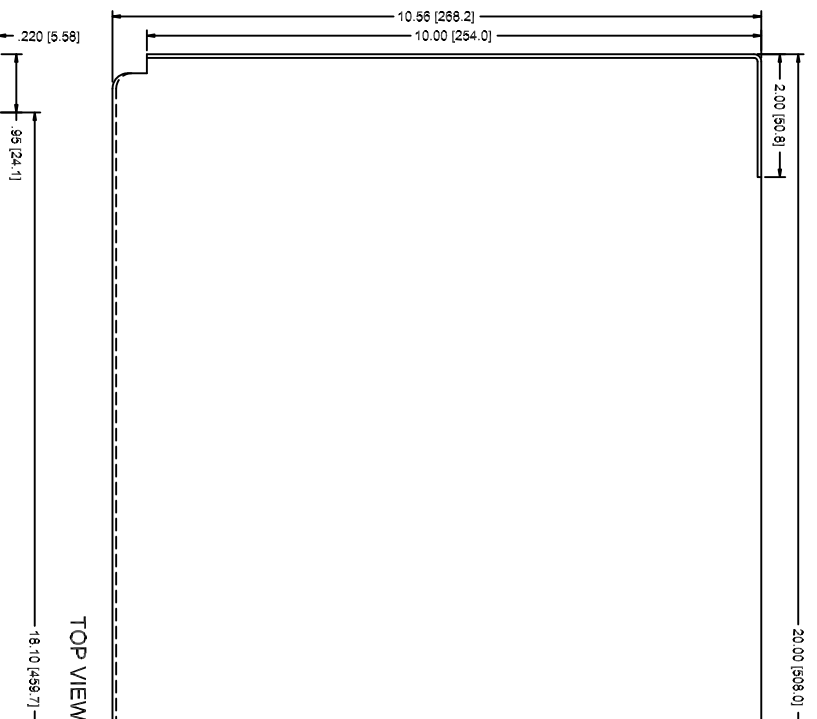
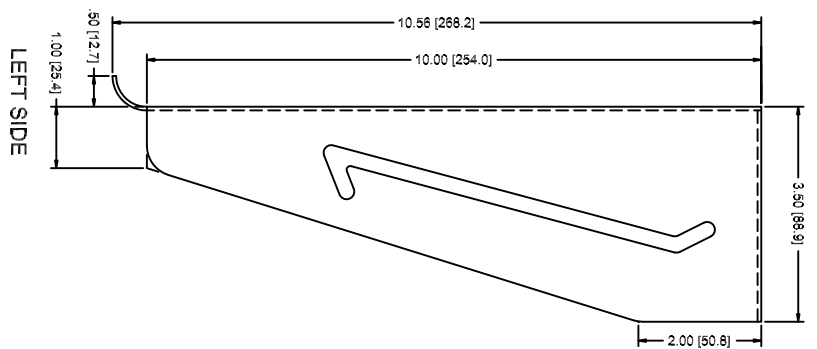


REV	DATE	BY	CHKD	DESCRIPTION
1	10/4/05	NEW	JY	REVISIONS



NOTES: UNLESS OTHERWISE SPECIFIED,  
 1. DIMENSIONS ARE IN ENGLISH MEASUREMENTS.  
 BRACKETS AFTER DIMENSIONS ARE METRIC CONVERSIONS.

UNCONTROLLED COPY

THIRD ANGLE PROJECTION	FINISH: PAINTED BLACK POWDERCOAT WRINKLE PER SMP 10002912
PROJECTION CODE: 16 CA ORS (090 THK REFERENCE)	
UNLESS OTHERWISE SPECIFIED, DIMENSIONS ARE IN INCHES. DIMENSIONS IN BRACKETS ARE METRIC. UNLESS NOTED OTHERWISE, DIMENSIONS ARE TO FACE UNLESS OTHERWISE SPECIFIED.	
32 PLACE DECIMALS = .005"	
32 PLACE DECIMALS = .01"	
32 PLACE DECIMALS = .015"	
32 PLACE DECIMALS = .02"	
32 PLACE DECIMALS = .03"	
32 PLACE DECIMALS = .04"	
32 PLACE DECIMALS = .05"	
32 PLACE DECIMALS = .06"	
32 PLACE DECIMALS = .07"	
32 PLACE DECIMALS = .08"	
32 PLACE DECIMALS = .09"	
32 PLACE DECIMALS = .10"	
32 PLACE DECIMALS = .11"	
32 PLACE DECIMALS = .12"	
32 PLACE DECIMALS = .13"	
32 PLACE DECIMALS = .14"	
32 PLACE DECIMALS = .15"	
32 PLACE DECIMALS = .16"	
32 PLACE DECIMALS = .17"	
32 PLACE DECIMALS = .18"	
32 PLACE DECIMALS = .19"	
32 PLACE DECIMALS = .20"	
32 PLACE DECIMALS = .21"	
32 PLACE DECIMALS = .22"	
32 PLACE DECIMALS = .23"	
32 PLACE DECIMALS = .24"	
32 PLACE DECIMALS = .25"	
32 PLACE DECIMALS = .26"	
32 PLACE DECIMALS = .27"	
32 PLACE DECIMALS = .28"	
32 PLACE DECIMALS = .29"	
32 PLACE DECIMALS = .30"	
32 PLACE DECIMALS = .31"	
32 PLACE DECIMALS = .32"	
32 PLACE DECIMALS = .33"	
32 PLACE DECIMALS = .34"	
32 PLACE DECIMALS = .35"	
32 PLACE DECIMALS = .36"	
32 PLACE DECIMALS = .37"	
32 PLACE DECIMALS = .38"	
32 PLACE DECIMALS = .39"	
32 PLACE DECIMALS = .40"	
32 PLACE DECIMALS = .41"	
32 PLACE DECIMALS = .42"	
32 PLACE DECIMALS = .43"	
32 PLACE DECIMALS = .44"	
32 PLACE DECIMALS = .45"	
32 PLACE DECIMALS = .46"	
32 PLACE DECIMALS = .47"	
32 PLACE DECIMALS = .48"	
32 PLACE DECIMALS = .49"	
32 PLACE DECIMALS = .50"	
32 PLACE DECIMALS = .51"	
32 PLACE DECIMALS = .52"	
32 PLACE DECIMALS = .53"	
32 PLACE DECIMALS = .54"	
32 PLACE DECIMALS = .55"	
32 PLACE DECIMALS = .56"	
32 PLACE DECIMALS = .57"	
32 PLACE DECIMALS = .58"	
32 PLACE DECIMALS = .59"	
32 PLACE DECIMALS = .60"	
32 PLACE DECIMALS = .61"	
32 PLACE DECIMALS = .62"	
32 PLACE DECIMALS = .63"	
32 PLACE DECIMALS = .64"	
32 PLACE DECIMALS = .65"	
32 PLACE DECIMALS = .66"	
32 PLACE DECIMALS = .67"	
32 PLACE DECIMALS = .68"	
32 PLACE DECIMALS = .69"	
32 PLACE DECIMALS = .70"	
32 PLACE DECIMALS = .71"	
32 PLACE DECIMALS = .72"	
32 PLACE DECIMALS = .73"	
32 PLACE DECIMALS = .74"	
32 PLACE DECIMALS = .75"	
32 PLACE DECIMALS = .76"	
32 PLACE DECIMALS = .77"	
32 PLACE DECIMALS = .78"	
32 PLACE DECIMALS = .79"	
32 PLACE DECIMALS = .80"	
32 PLACE DECIMALS = .81"	
32 PLACE DECIMALS = .82"	
32 PLACE DECIMALS = .83"	
32 PLACE DECIMALS = .84"	
32 PLACE DECIMALS = .85"	
32 PLACE DECIMALS = .86"	
32 PLACE DECIMALS = .87"	
32 PLACE DECIMALS = .88"	
32 PLACE DECIMALS = .89"	
32 PLACE DECIMALS = .90"	
32 PLACE DECIMALS = .91"	
32 PLACE DECIMALS = .92"	
32 PLACE DECIMALS = .93"	
32 PLACE DECIMALS = .94"	
32 PLACE DECIMALS = .95"	
32 PLACE DECIMALS = .96"	
32 PLACE DECIMALS = .97"	
32 PLACE DECIMALS = .98"	
32 PLACE DECIMALS = .99"	
32 PLACE DECIMALS = 1.00"	

9131	SHELF, 9130 SLIDING KEYBOARD, W/MOUSEPAD	BLACK
9130	SHELF, SLIDING KEYBOARD, OPEN-FRAME BACK	BLACK
OCC PART NO.		
DESCRIPTION		
DRAWN: E.WETTL DATE: 10/4/05		
CHECKED: J.VYANK DATE: 10/4/05		
ENGINEER: J.VYANK DATE: 10/4/05		
APPROVED: R.B. SMITH DATE: 10/4/05		
PREVIOUS DWG		
NEXT DWG		
FILENAME: C300016A.DFT		
DWG TITLE: SHELF, SLIDING, KEYBOARD, OUTER, 19" CABINET		
SIZE: C		
DWG NO: C300016		
SCALE: NONE		
SHEET: 1 OF 1		
REV: A		

3290 Concourse Drive  
 Reston, VA 20191  
 Phone: 800-822-7711  
 Fax: 540-285-0724  
 www.occcorp.com



7 6 5 4 3 2 1

7 6 5 4 3 2 1